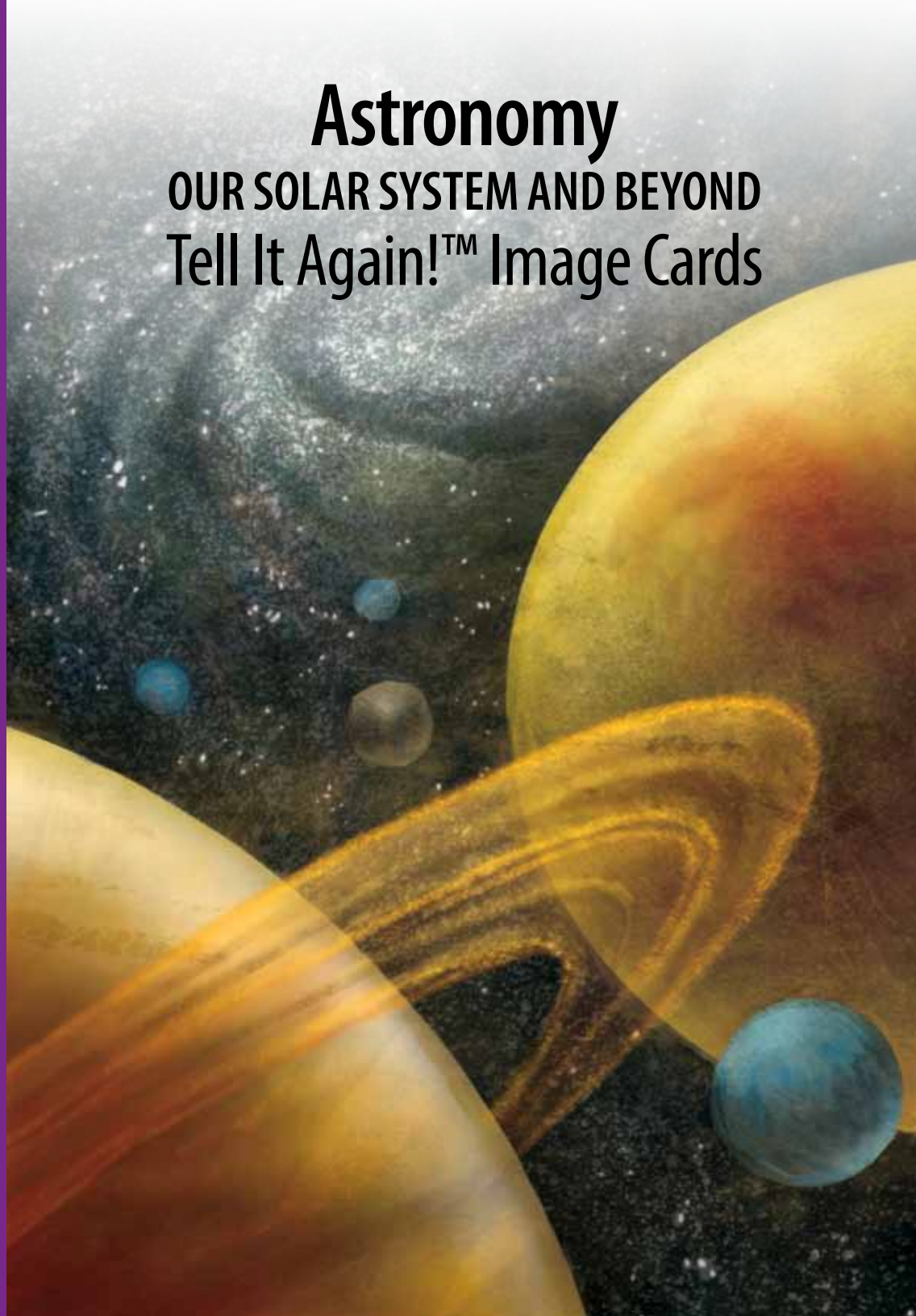


# Astronomy

OUR SOLAR SYSTEM AND BEYOND  
Tell It Again!™ Image Cards



Core Knowledge Language Arts® • Listening & Learning™ Strand



GRADE 3

## Creative Commons Licensing

This work is licensed under a Creative Commons Attribution-NonCommercial-ShareAlike 3.0 Unported License.



You are free:

- to **Share** — to copy, distribute and transmit the work
- to **Remix** — to adapt the work

Under the following conditions:

**Attribution** — You must attribute the work in the following manner:

*This work is based on an original work of the Core Knowledge® Foundation made available through licensing under a Creative Commons Attribution-NonCommercial-ShareAlike 3.0 Unported License. This does not in any way imply that the Core Knowledge Foundation endorses this work.*

**Noncommercial** — You may not use this work for commercial purposes.

**Share Alike** — If you alter, transform, or build upon this work, you may distribute the resulting work only under the same or similar license to this one.

With the understanding that:

For any reuse or distribution, you must make clear to others the license terms of this work. The best way to do this is with a link to this web page:

<http://creativecommons.org/licenses/by-nc-sa/3.0/>

Copyright © 2013 Core Knowledge Foundation

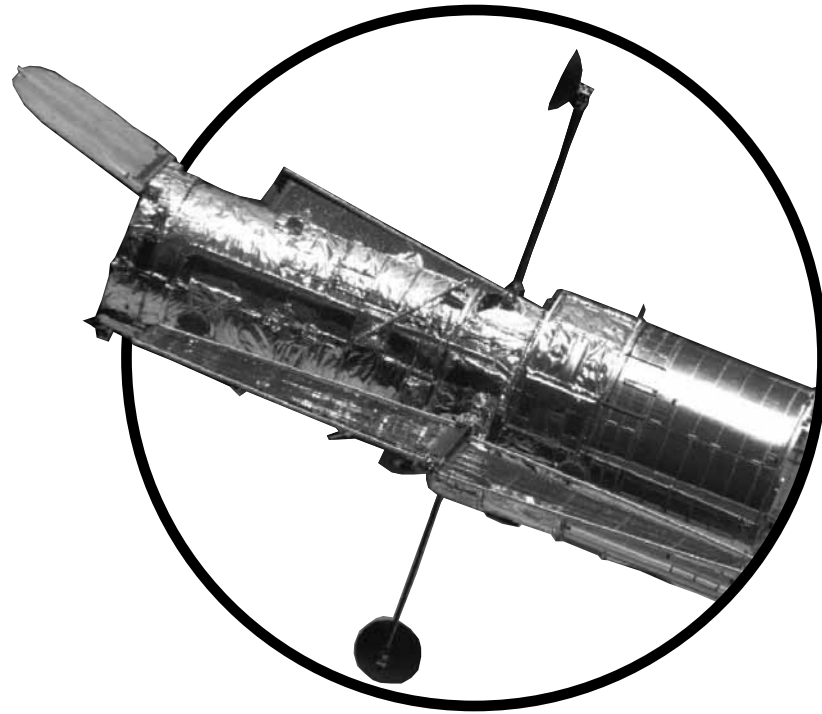
[www.coreknowledge.org](http://www.coreknowledge.org)

All Rights Reserved.

Core Knowledge Language Arts, Listening & Learning, and Tell It Again! are trademarks of the Core Knowledge Foundation.

Trademarks and trade names are shown in this book strictly for illustrative and educational purposes and are the property of their respective owners. References herein should not be regarded as affecting the validity of said trademarks and trade names.

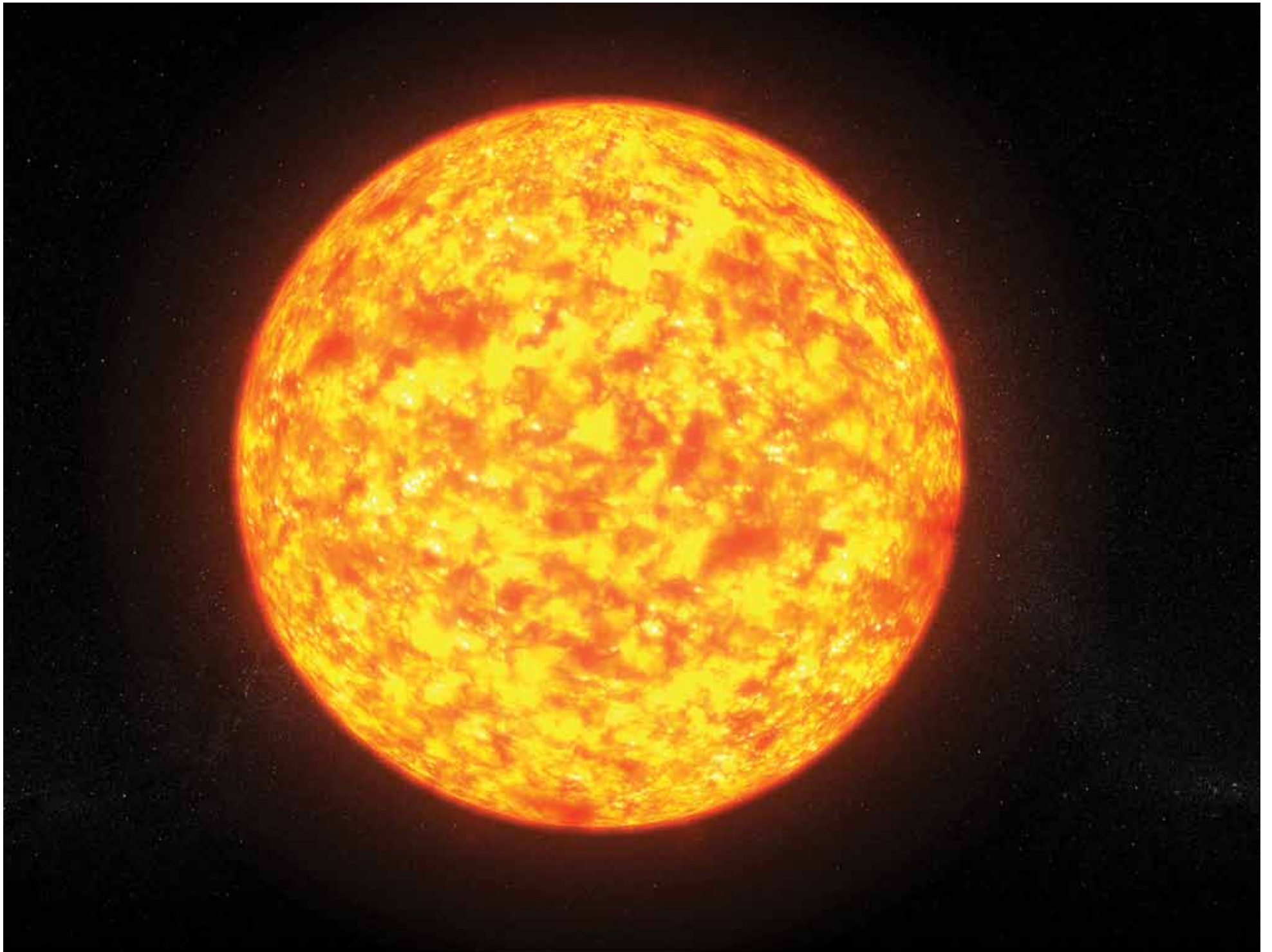


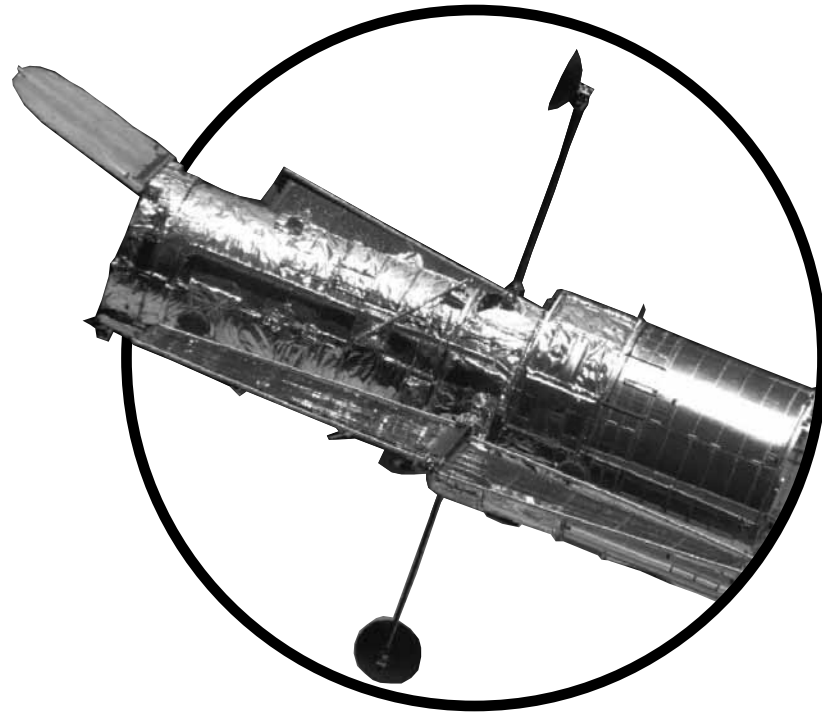


top

# Astronomy: Our Solar System and Beyond

Card 1 of 30: Earth's Atmosphere



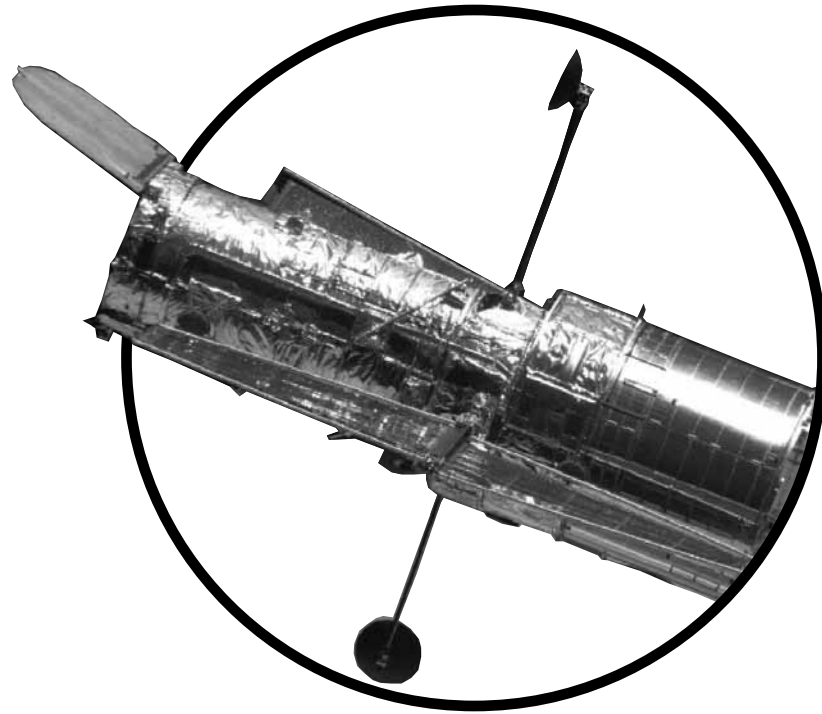


top

## **Astronomy: Our Solar System and Beyond**

**Card 2 of 30: Sun**



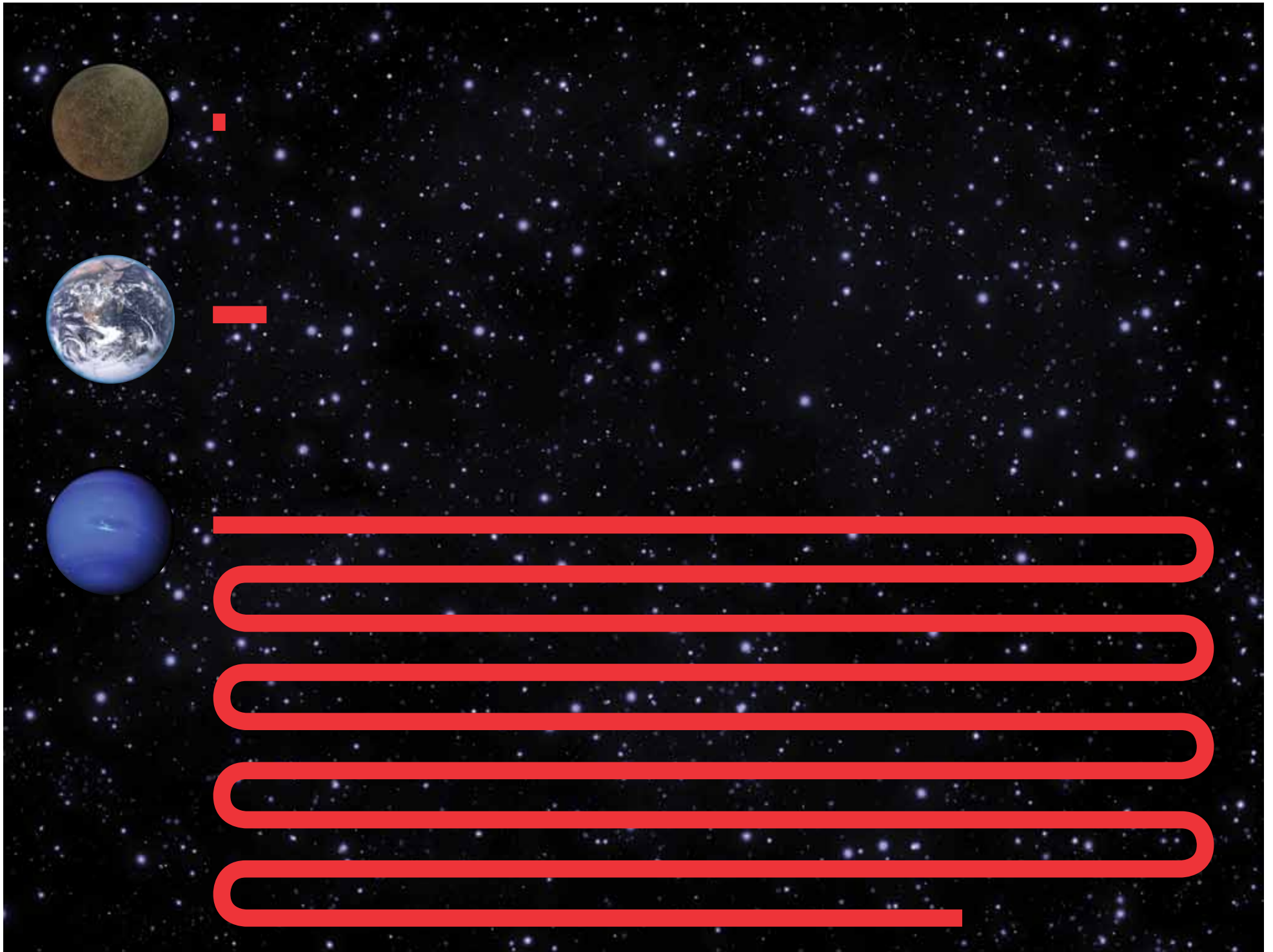


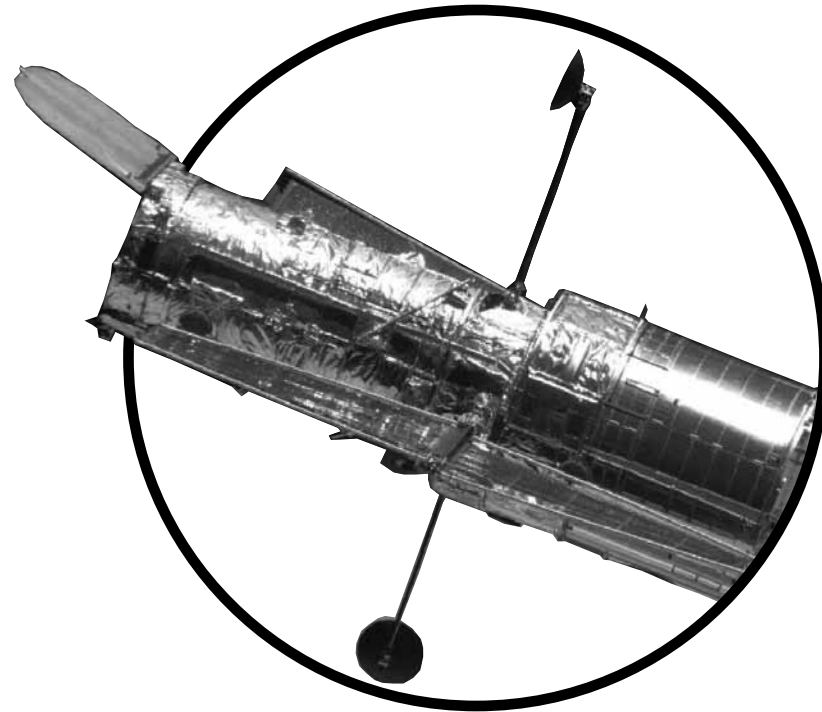
top

## **Astronomy: Our Solar System and Beyond**

**Card 3 of 30: Earth**





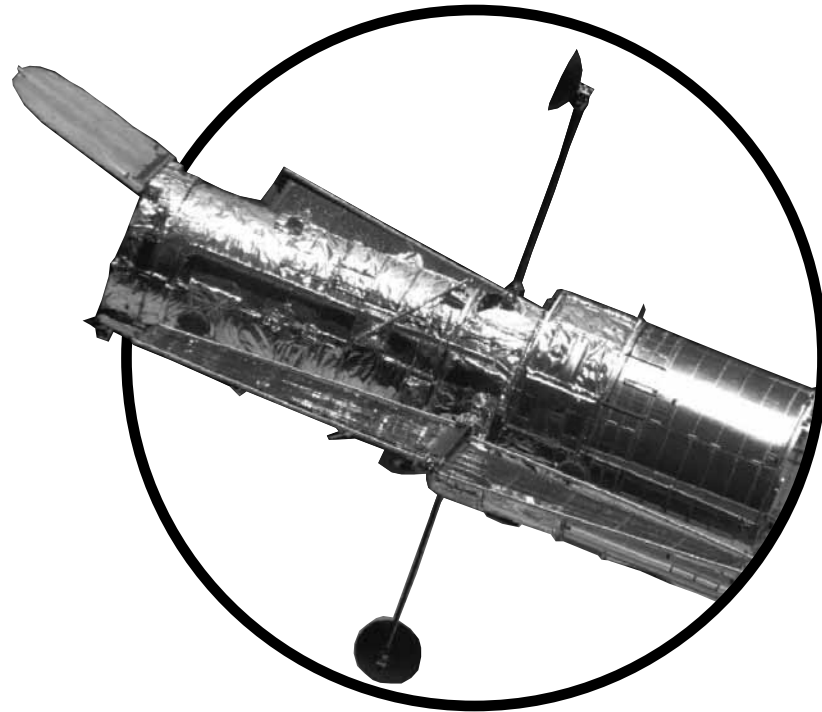


top

## **Astronomy: Our Solar System and Beyond**

**Card 4 of 30: Planetary Years**

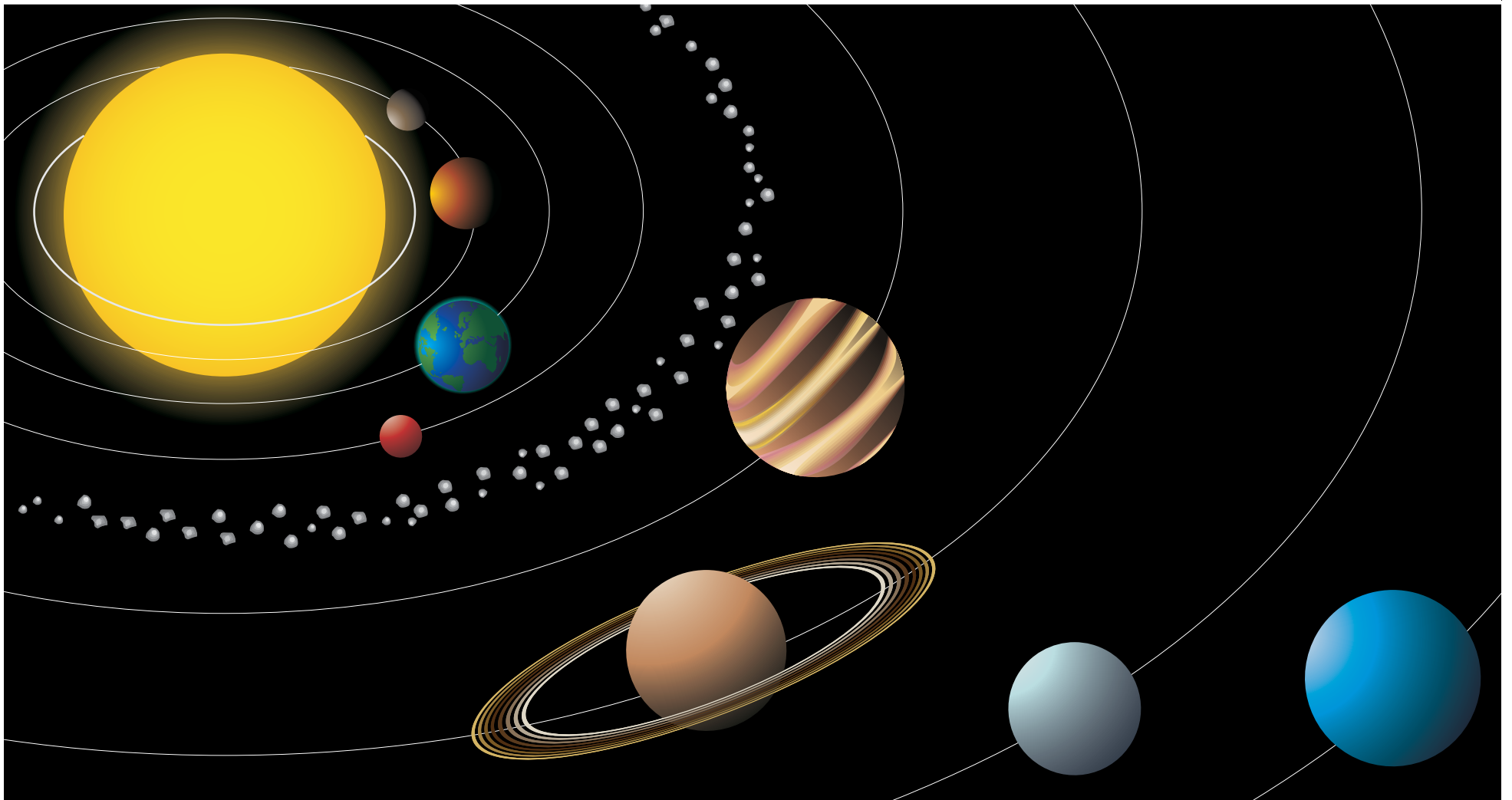
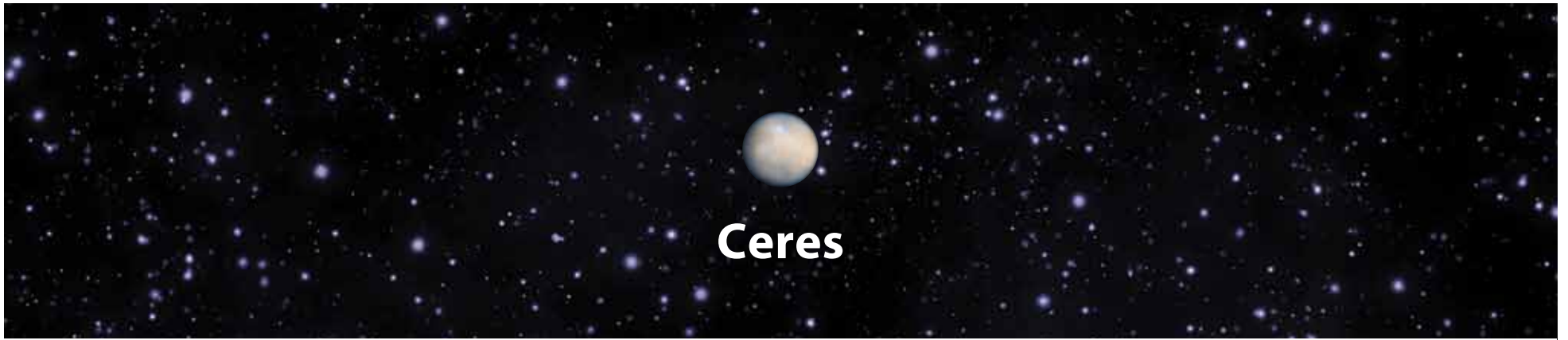


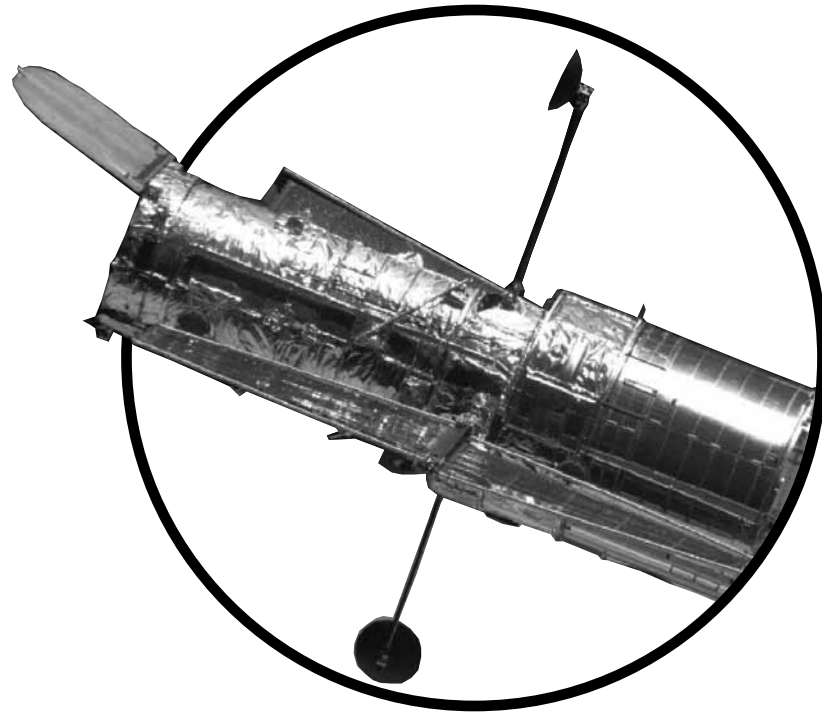


top

# Astronomy: Our Solar System and Beyond

Card 5 of 30: Meteorite Crater



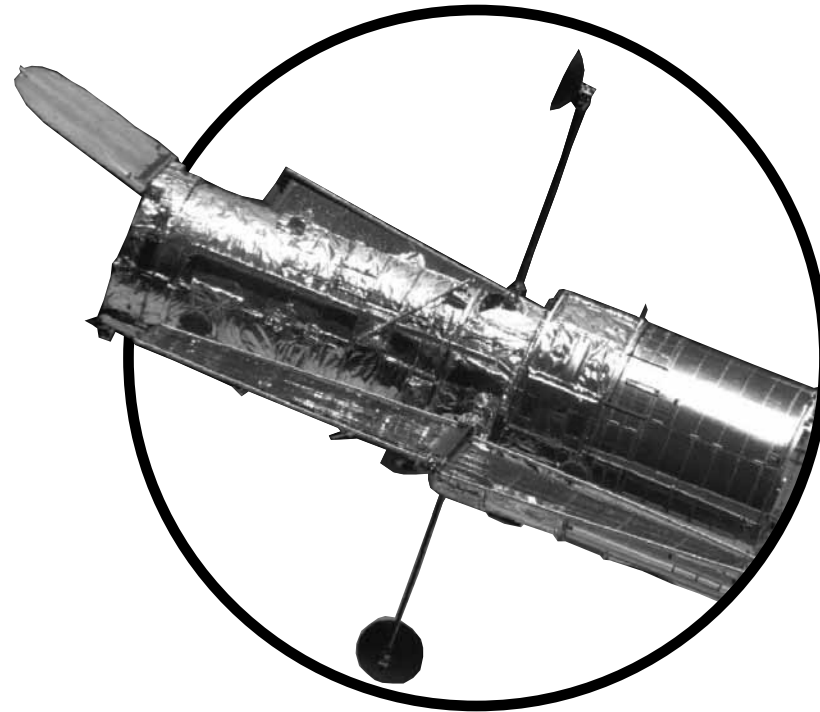


top

## **Astronomy: Our Solar System and Beyond**

**Card 6 of 30: Ceres and the Asteroid Belt**





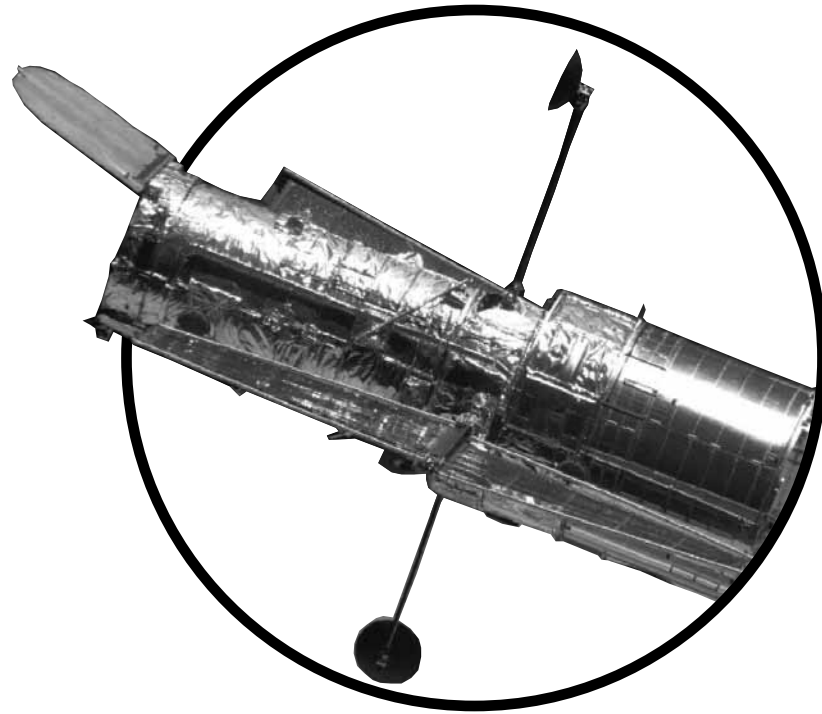
top

## **Astronomy: Our Solar System and Beyond**

**Card 7 of 30: Pluto**





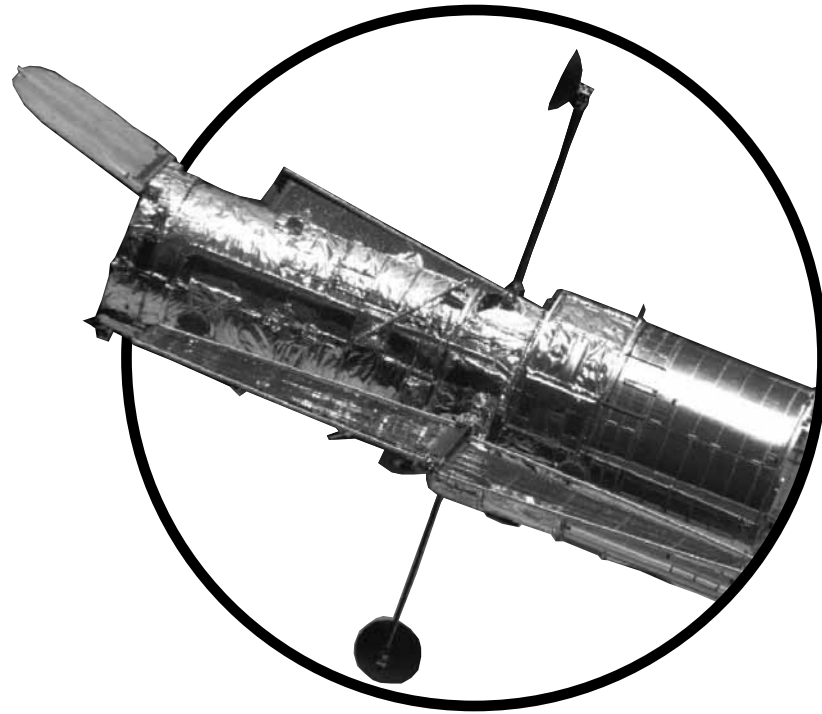


top

## **Astronomy: Our Solar System and Beyond**

**Card 8 of 30: Mercury**

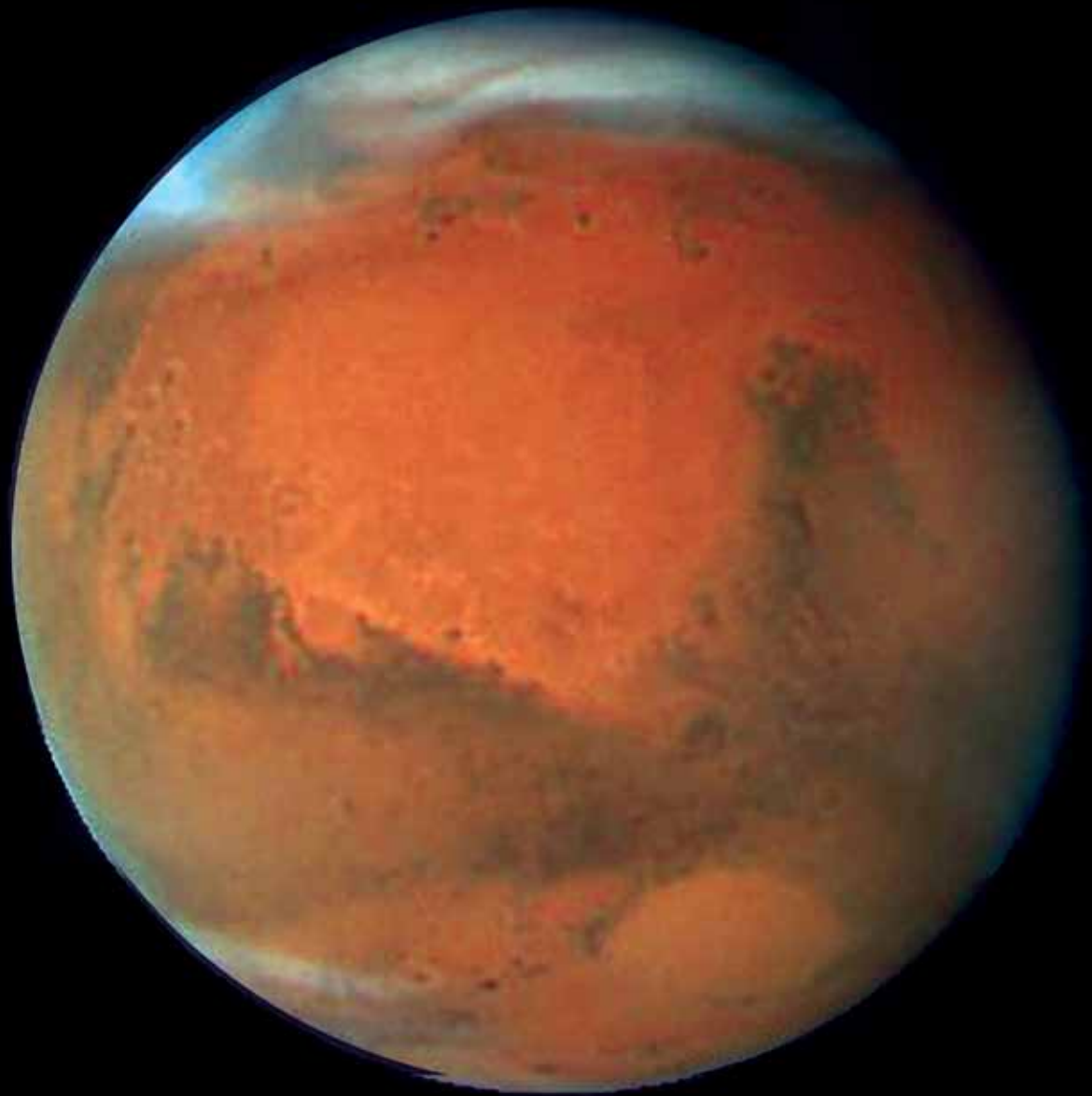


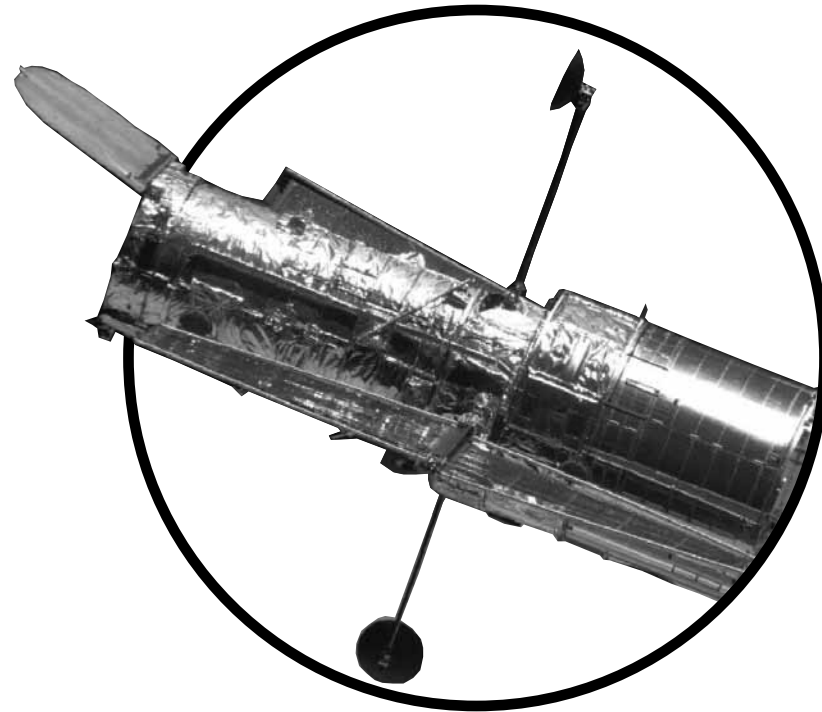


top

## **Astronomy: Our Solar System and Beyond**

**Card 9 of 30: Venus**

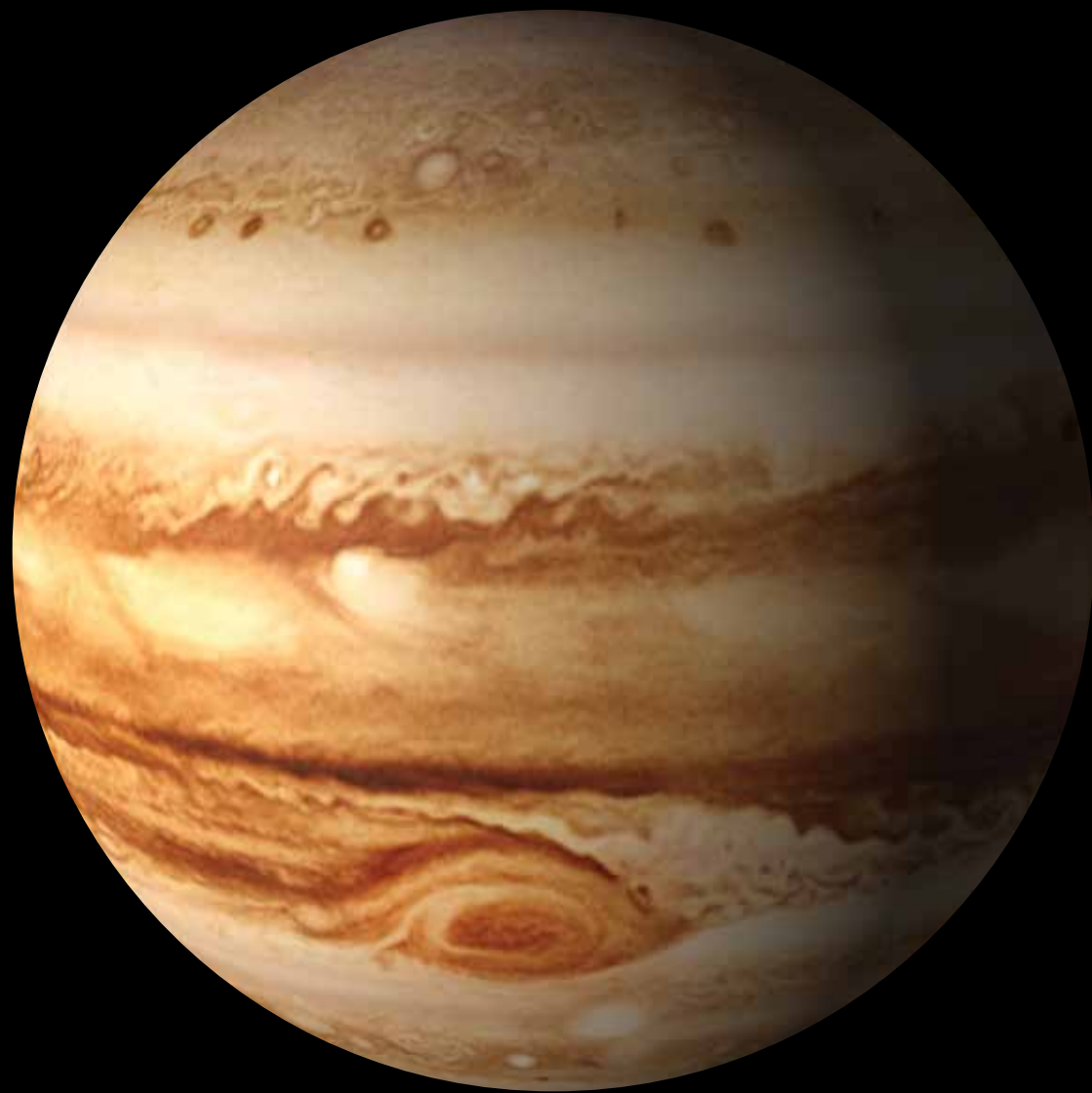


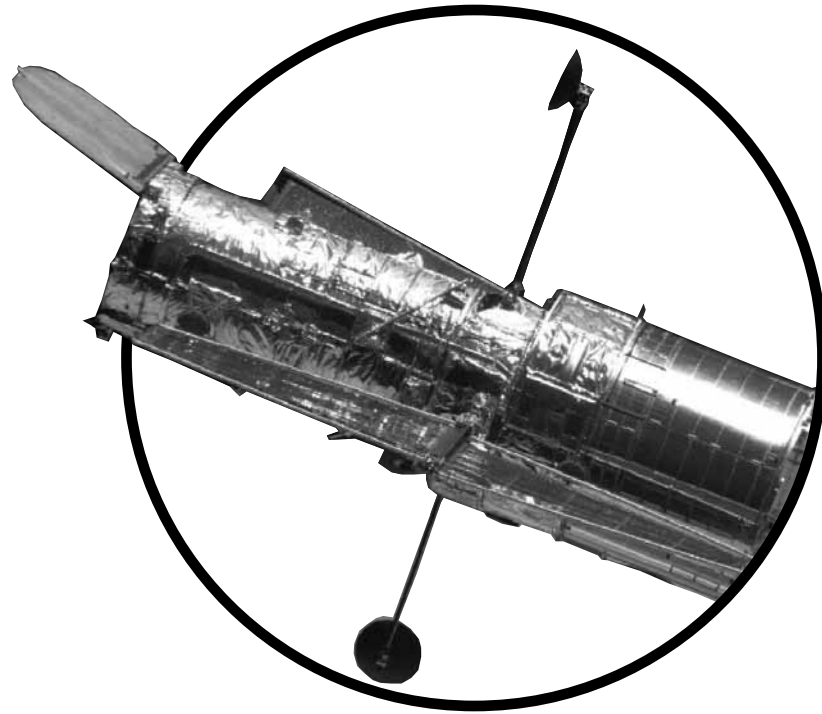


top

## Astronomy: Our Solar System and Beyond

Card 10 of 30: Mars



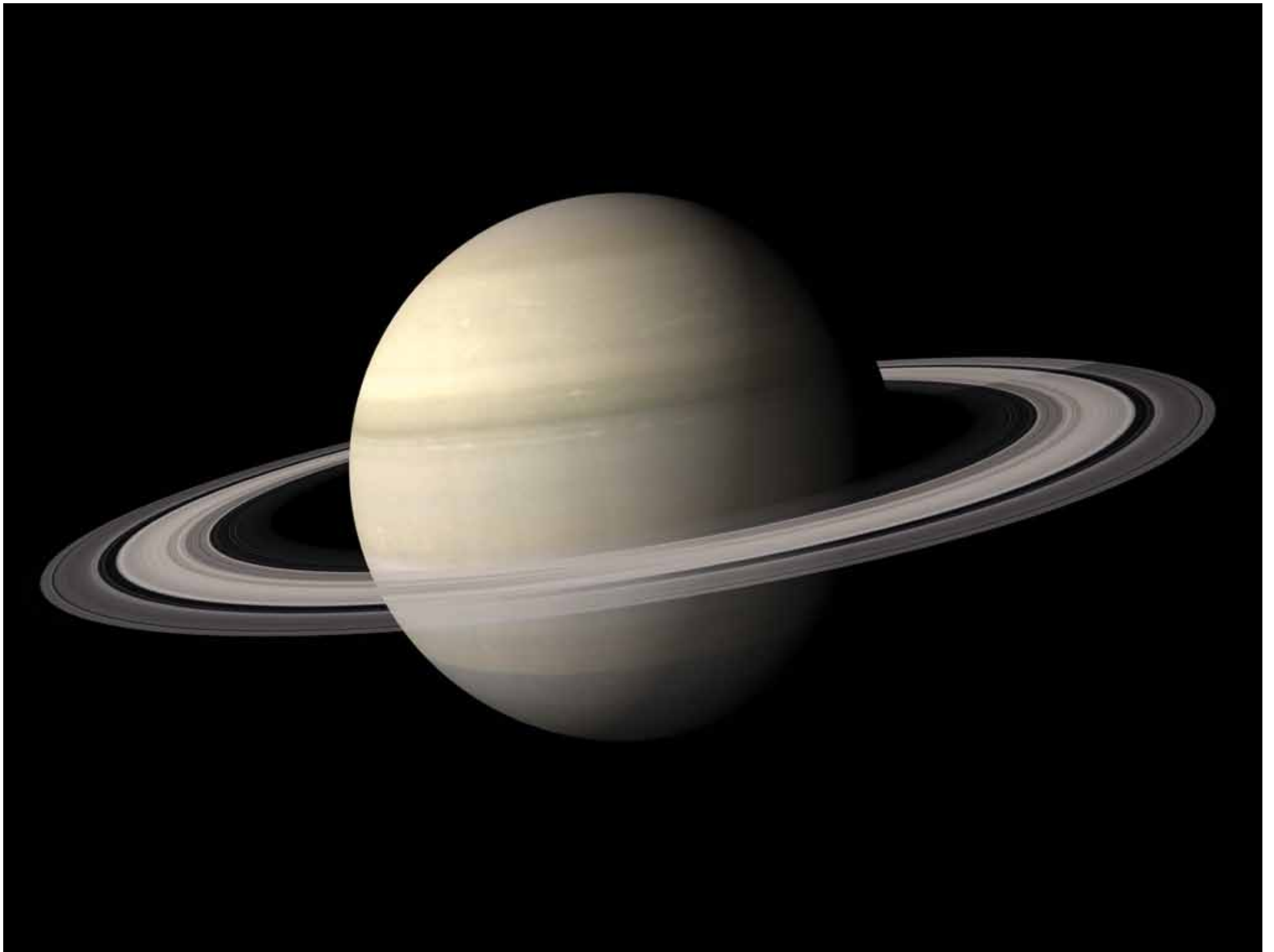


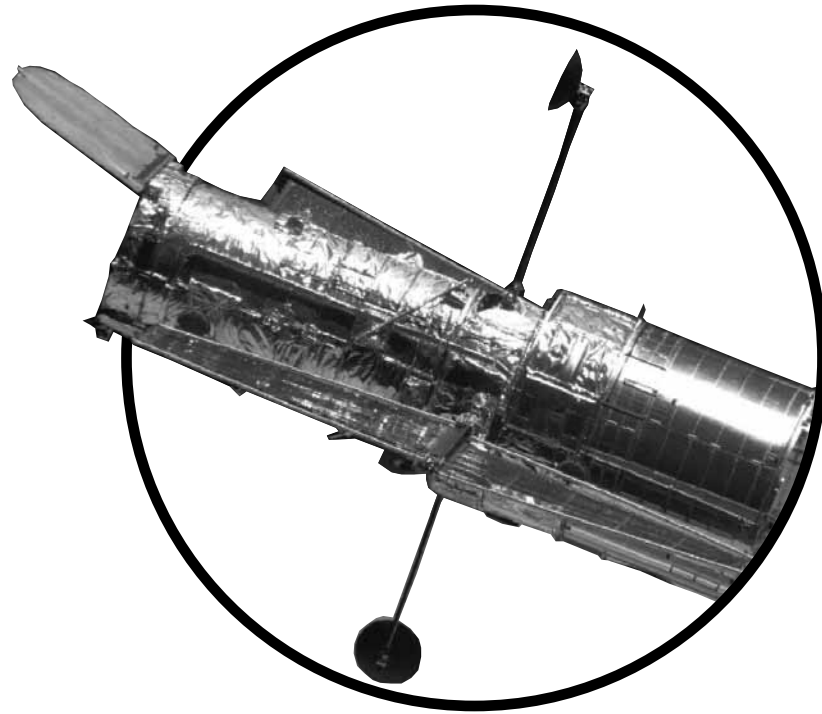
top

## **Astronomy: Our Solar System and Beyond**

**Card 11 of 30: Jupiter**



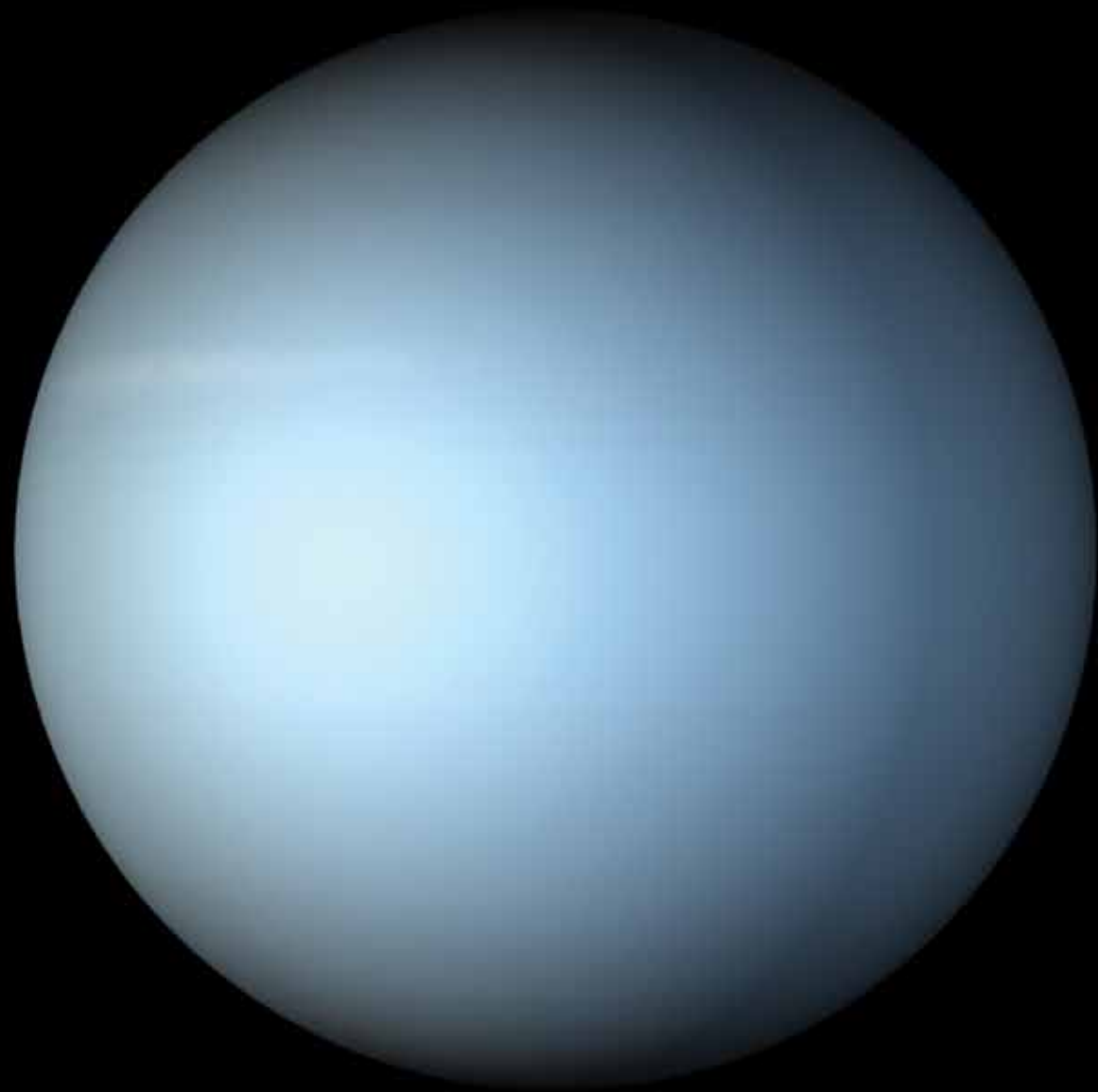


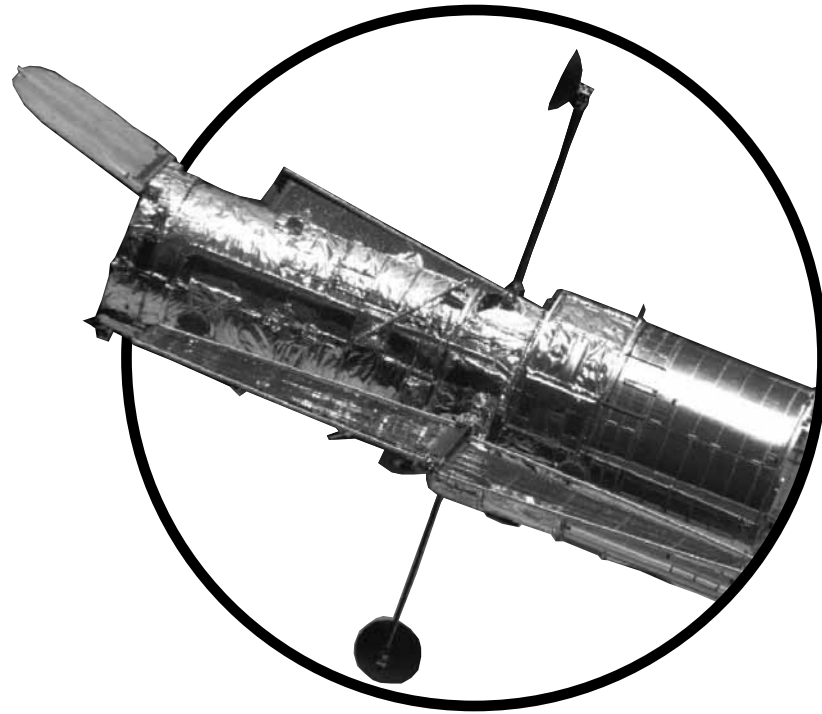


top

## **Astronomy: Our Solar System and Beyond**

**Card 12 of 30: Saturn**

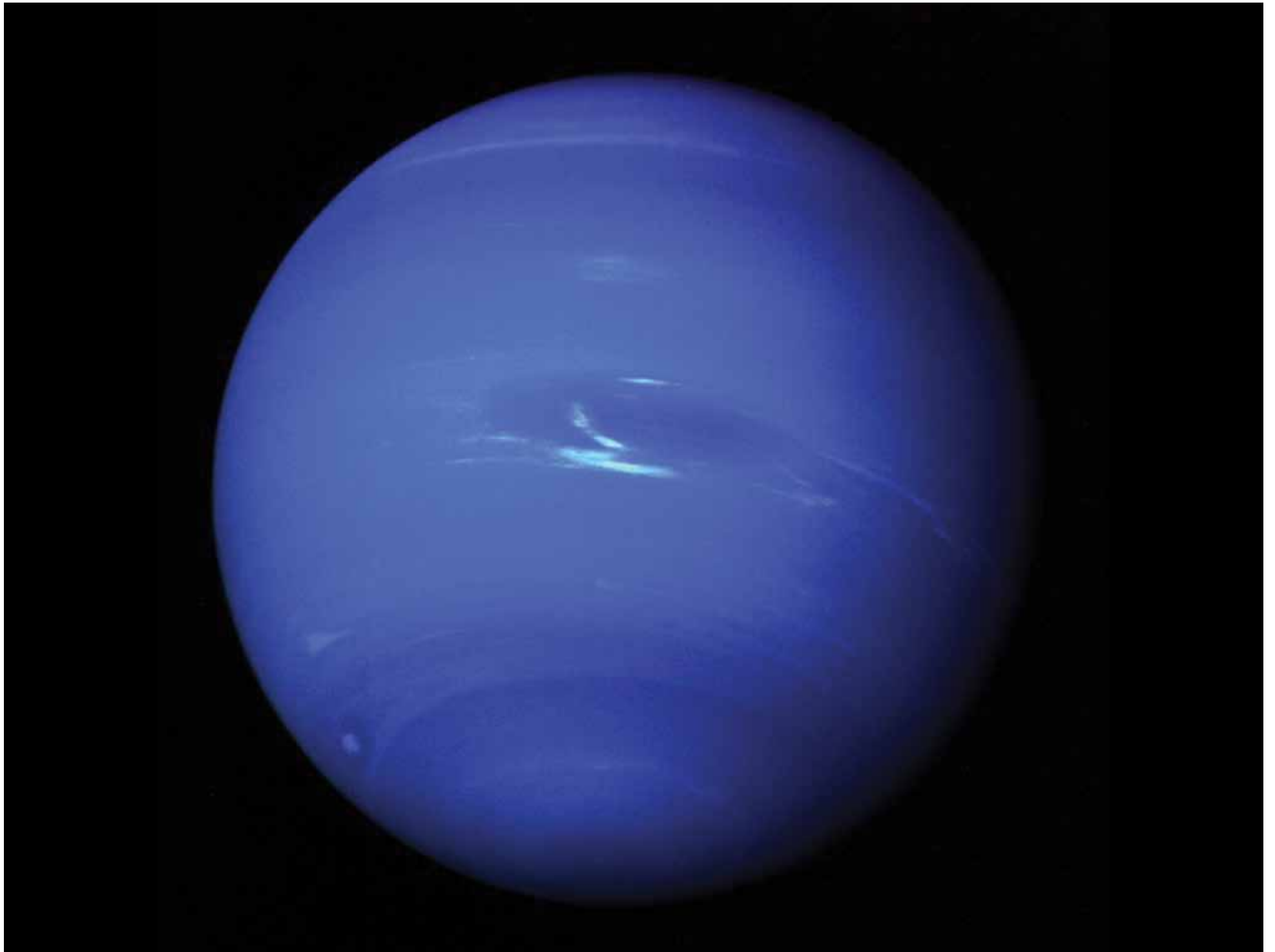


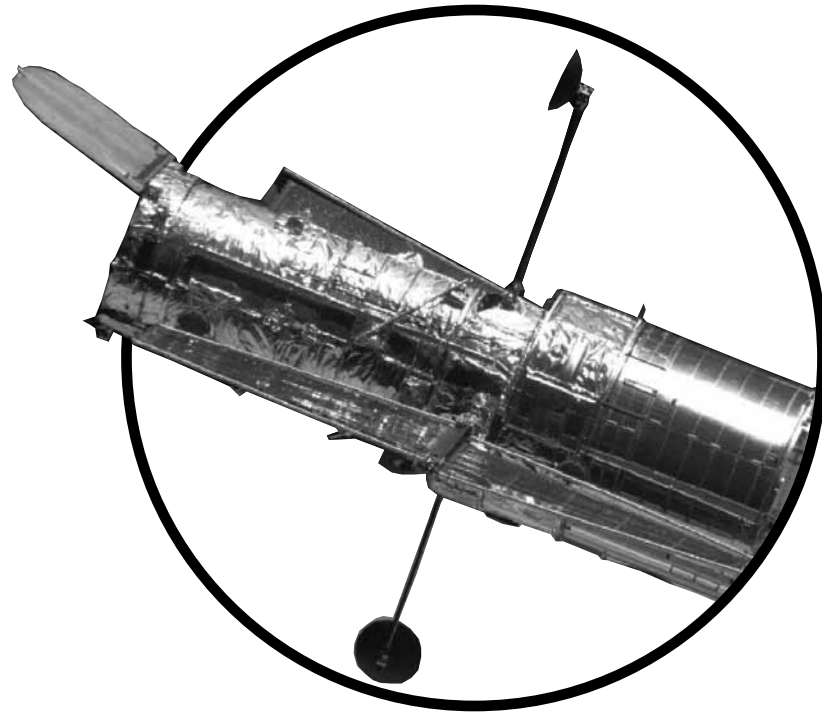


top

## **Astronomy: Our Solar System and Beyond**

**Card 13 of 30: Uranus**

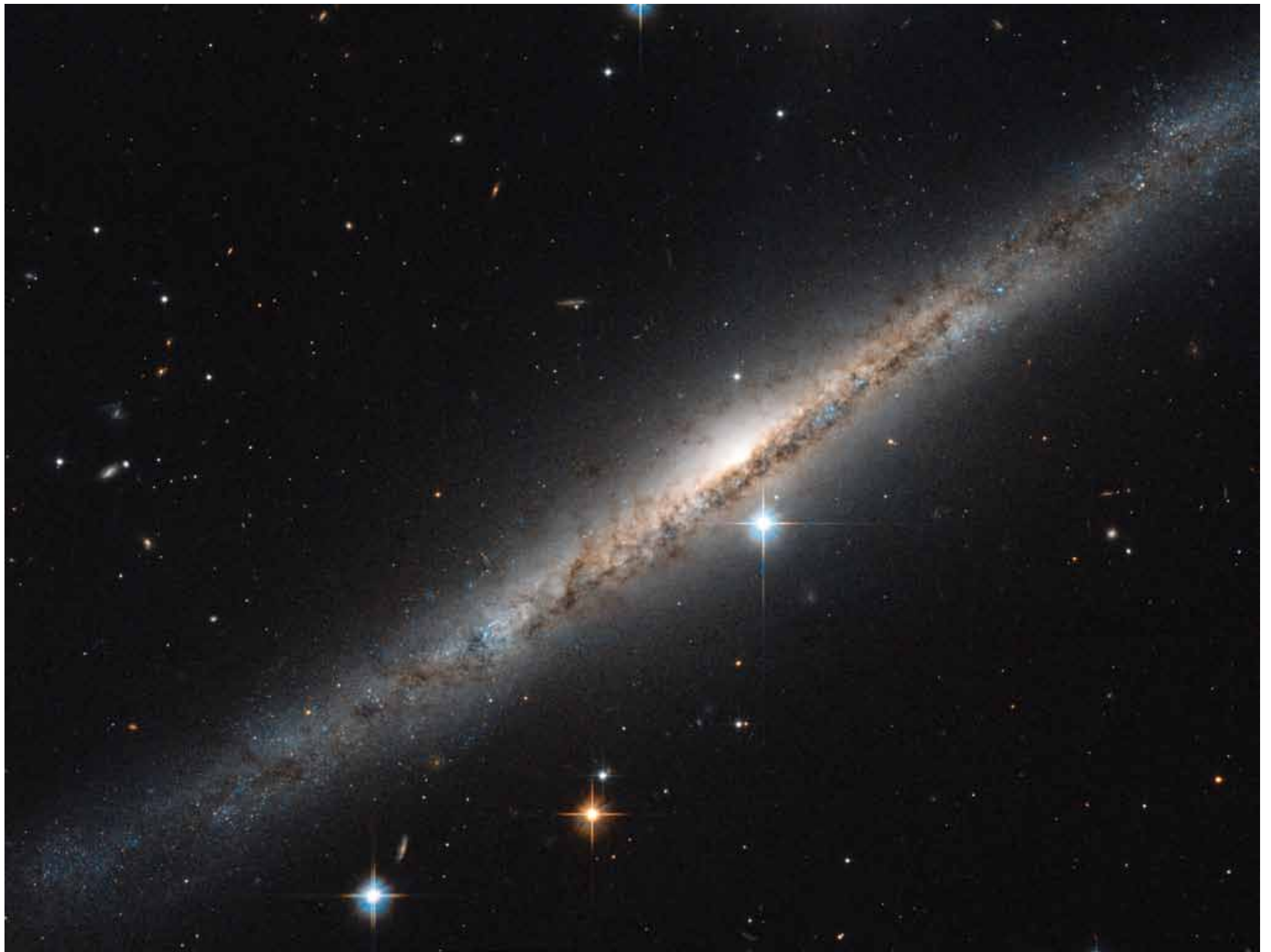


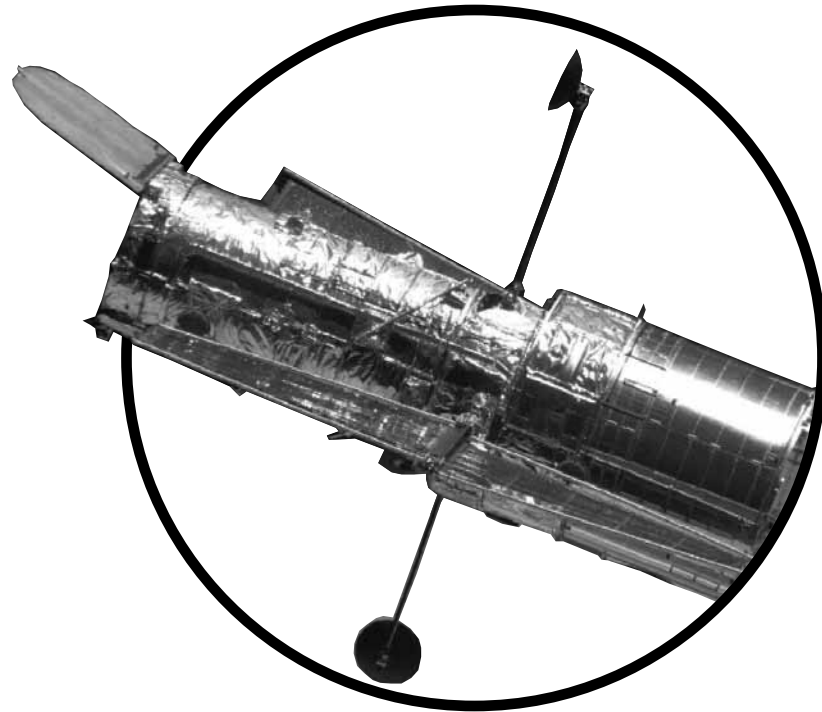


top

## **Astronomy: Our Solar System and Beyond**

**Card 14 of 30: Neptune**



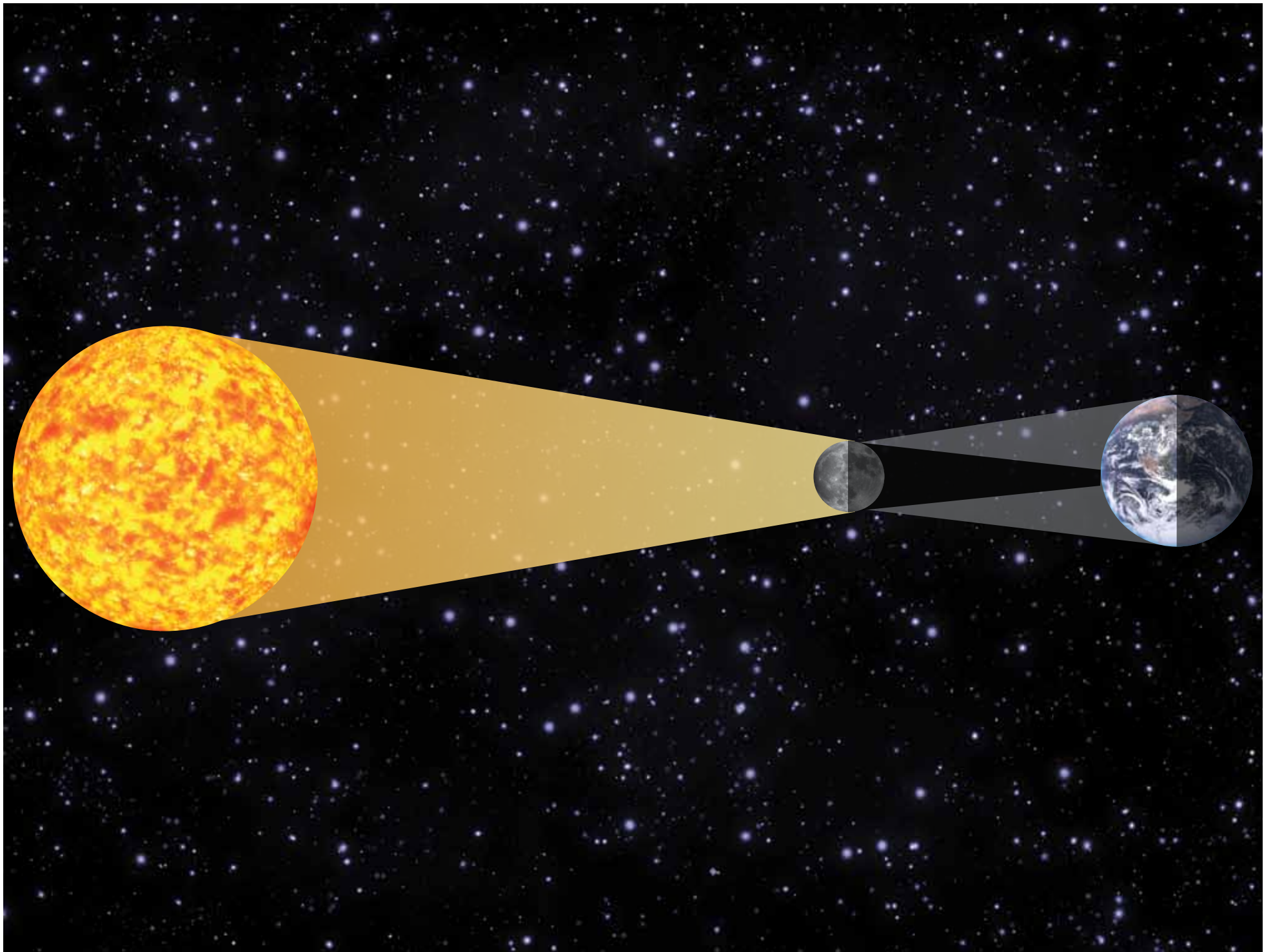


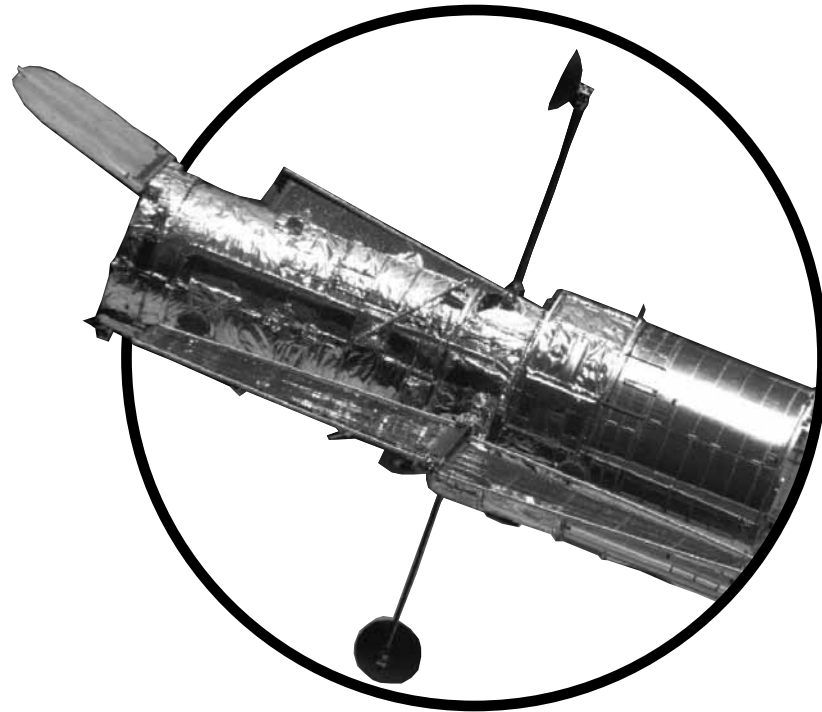
top

## **Astronomy: Our Solar System and Beyond**

**Card 15 of 30: Side View of a Galaxy Like the Milky Way**



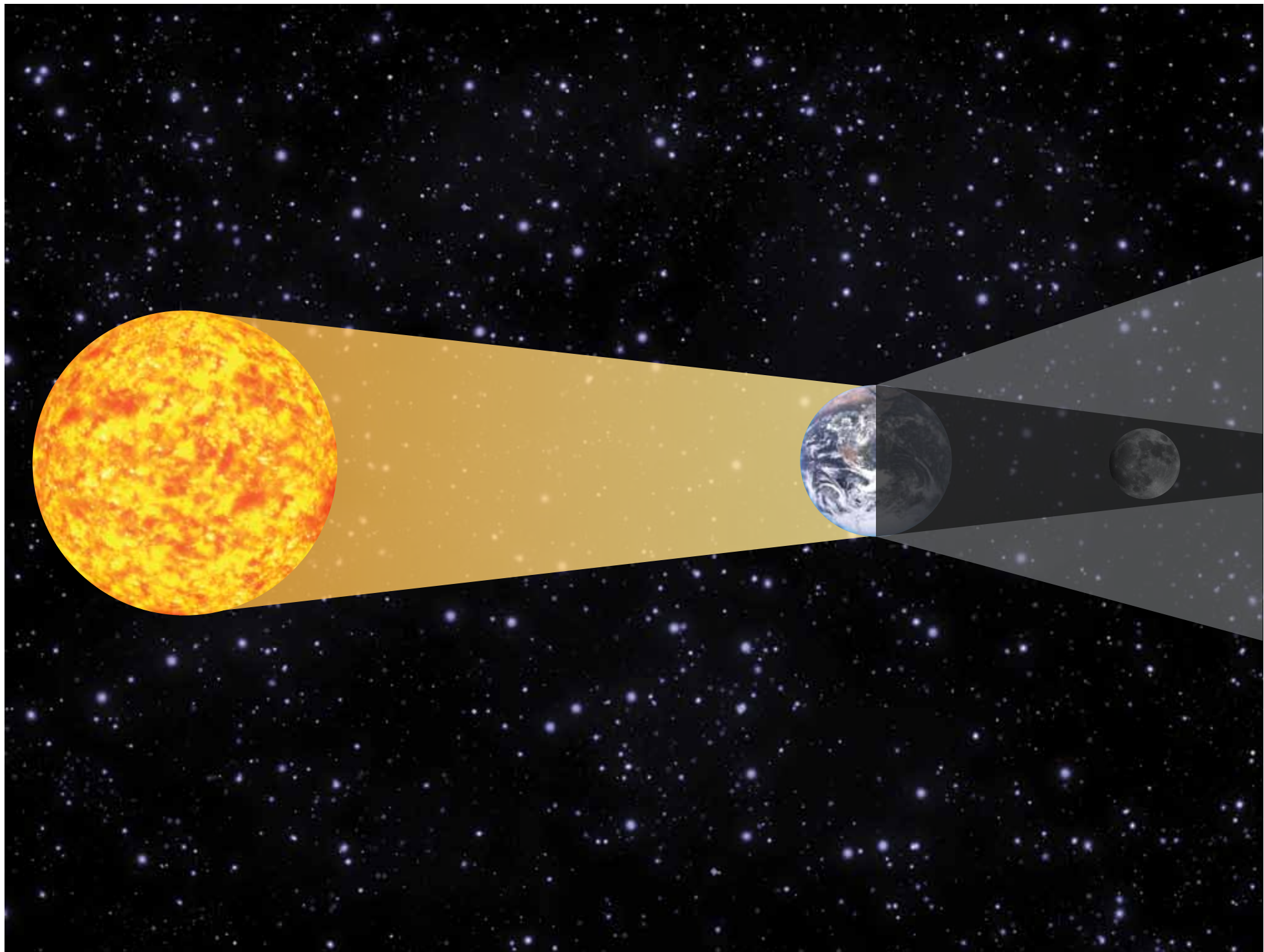


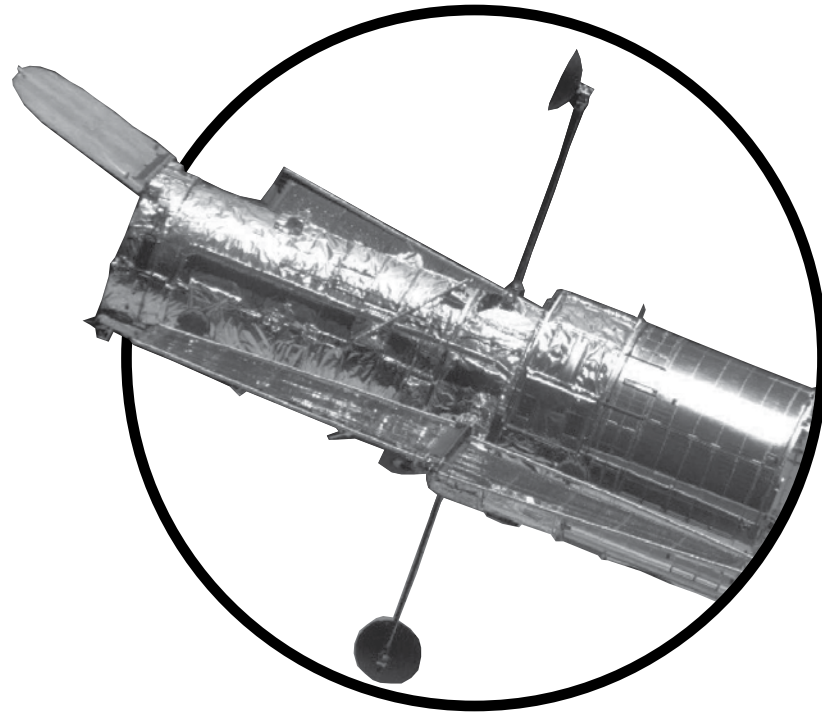


top

## Astronomy: Our Solar System and Beyond

Card 16 of 30: Diagram of a Solar Eclipse

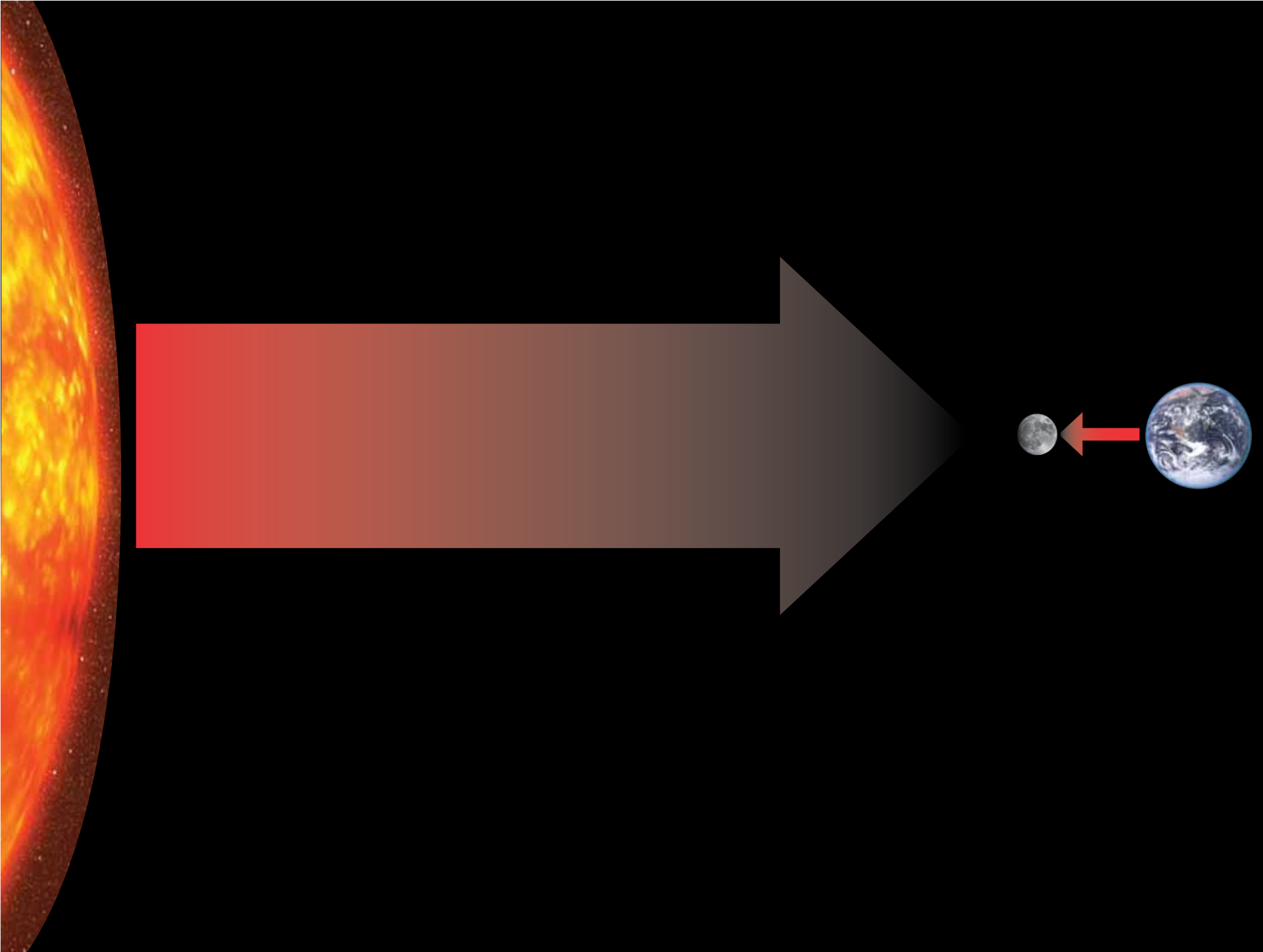


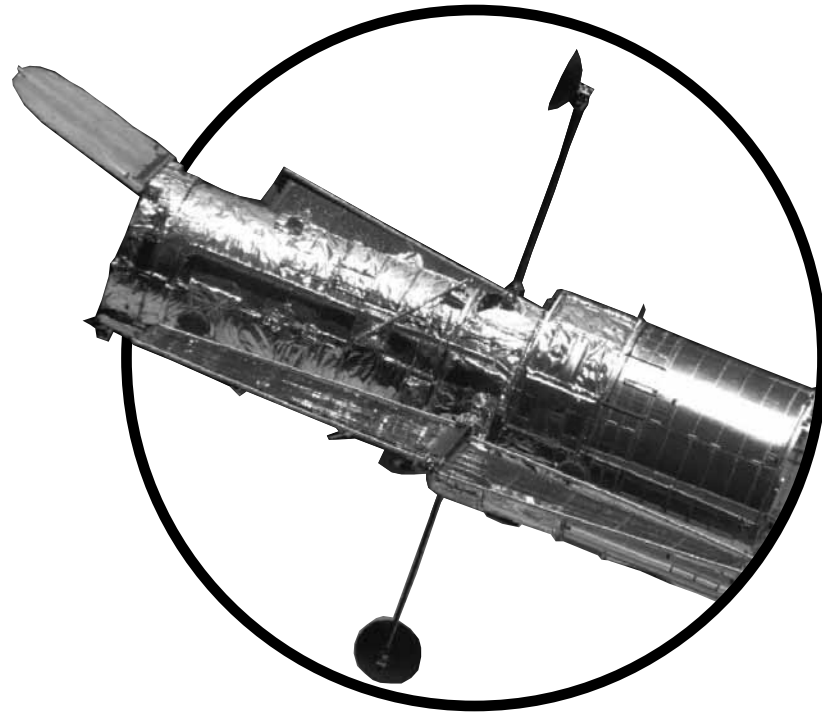


top

## **Astronomy: Our Solar System and Beyond**

**Card 17 of 30: Diagram of a Lunar Eclipse**





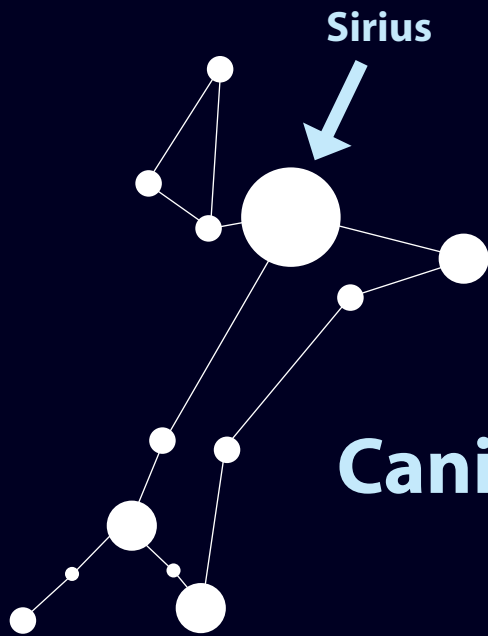
top

## **Astronomy: Our Solar System and Beyond**

**Card 18 of 30: Gravity of the Sun vs. Gravity of Earth**

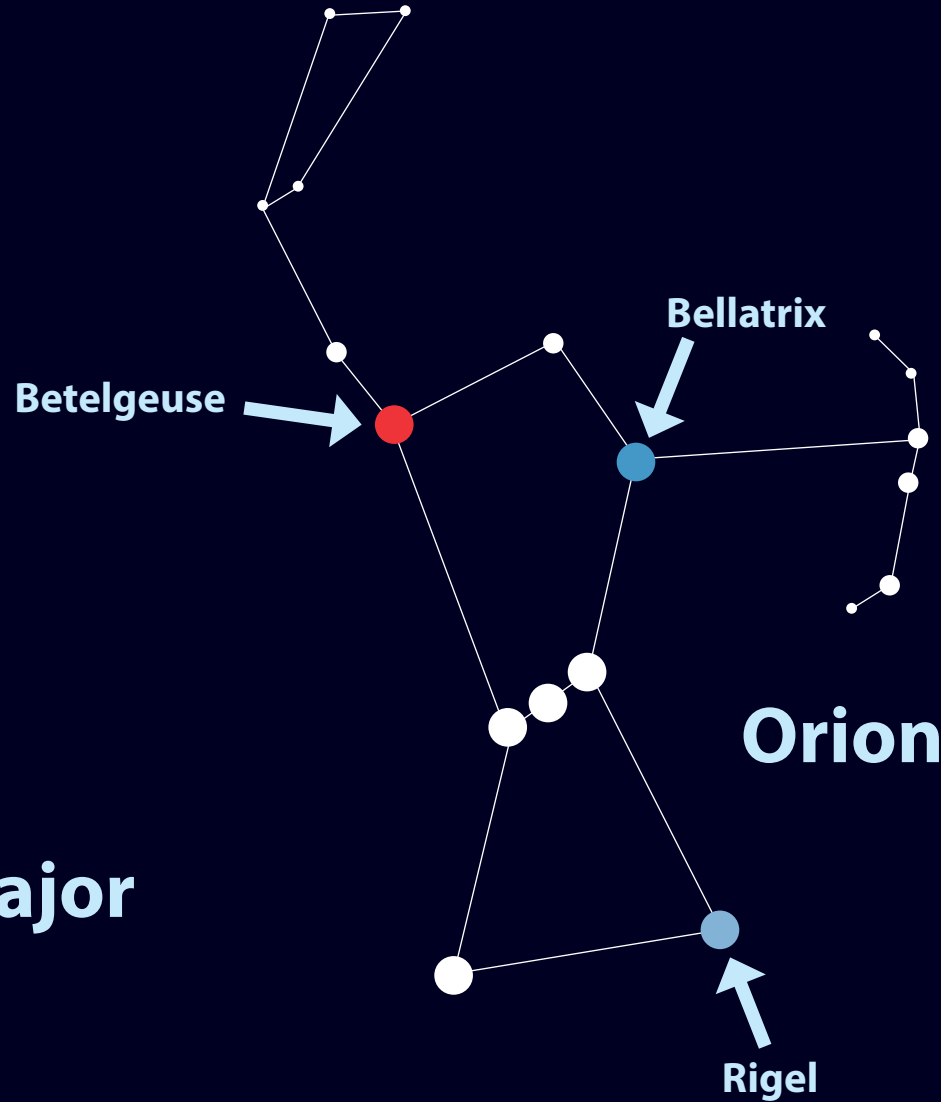


**Canis Minor**



**Sirius**

**Canis Major**

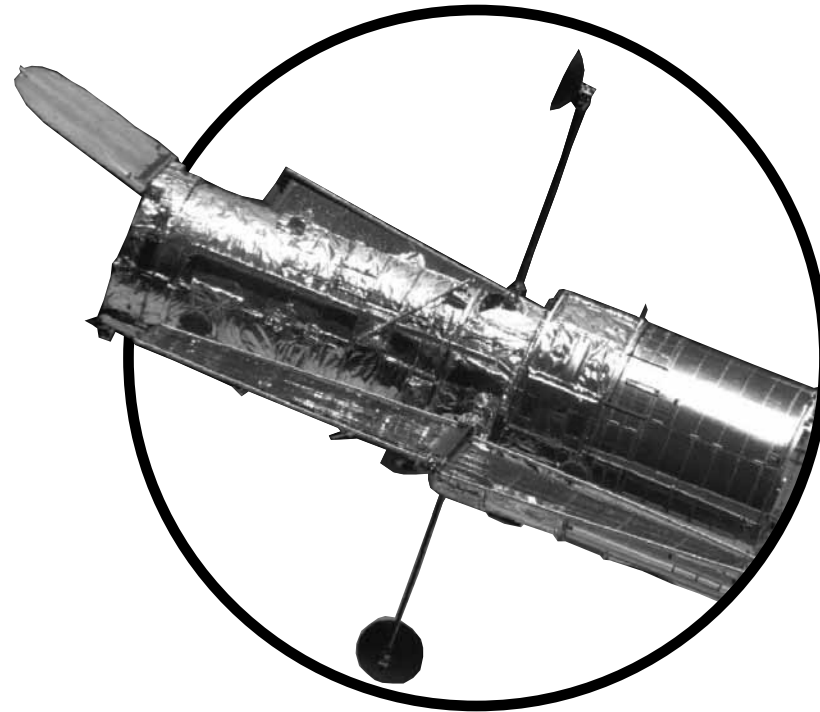


**Betelgeuse**

**Bellatrix**

**Orion**

**Rigel**



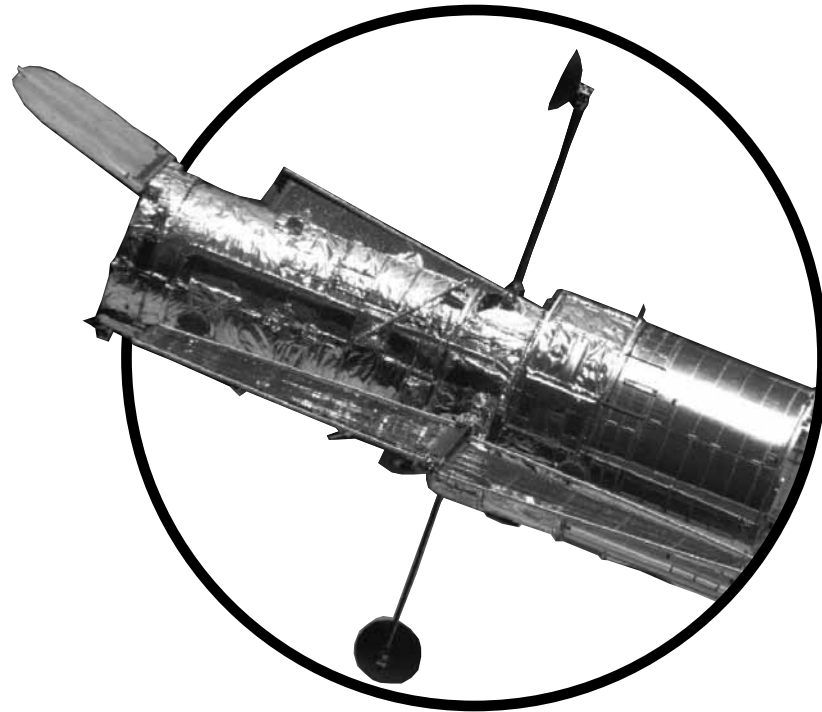
top

## **Astronomy: Our Solar System and Beyond**

**Card 19 of 30: Orion and His Hunting Dogs**







top

## **Astronomy: Our Solar System and Beyond**

**Card 20 of 30: Stars Circling Polaris**

LONGER WAVELENGTHS

SHORTER WAVELENGTHS

RADIO

MICROWAVE

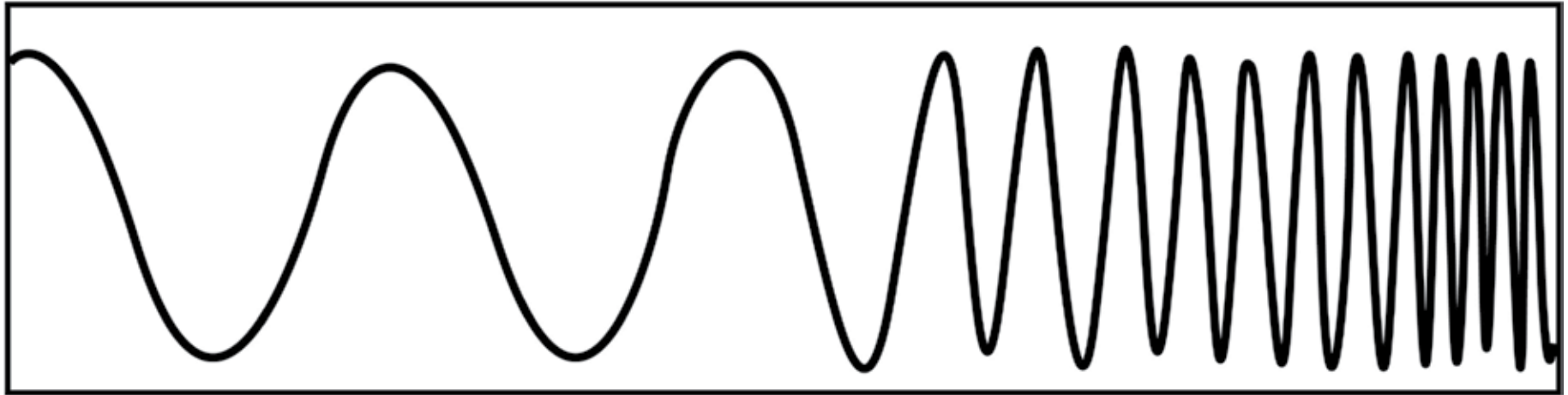
INFRARED

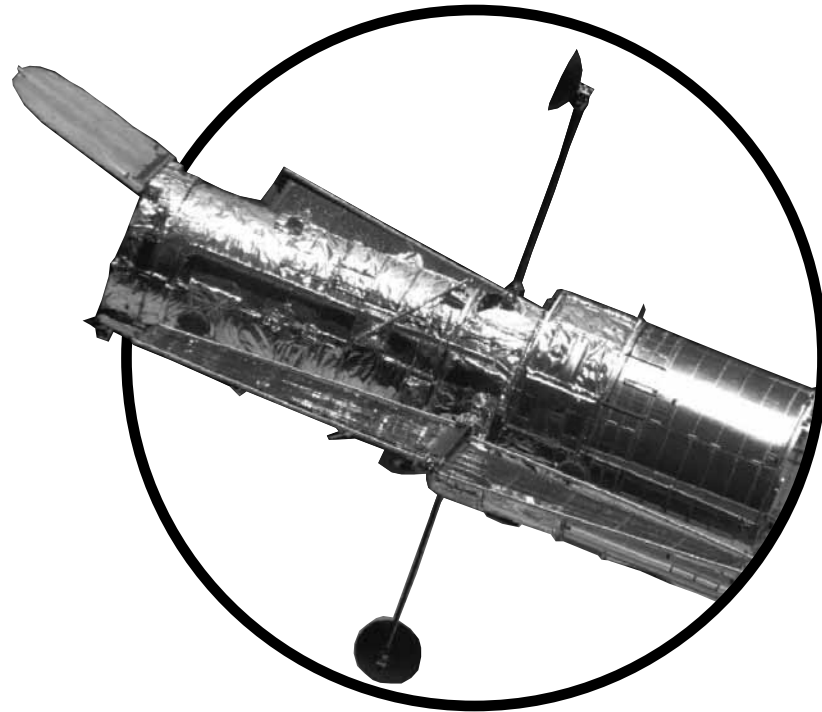
VISIBLE

ULTRAVIOLET

X-RAY

GAMMA RAY



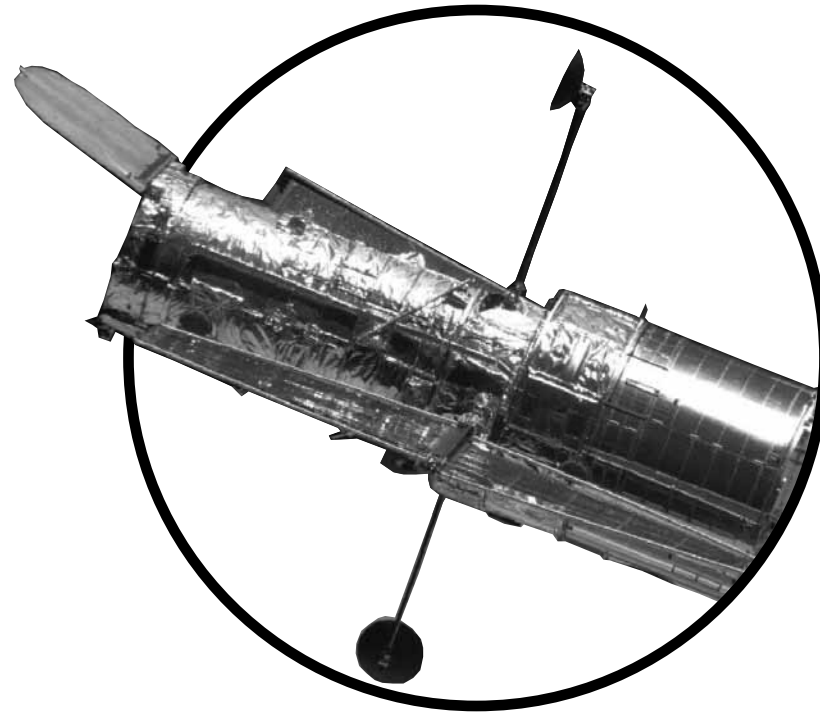


top

## **Astronomy: Our Solar System and Beyond**

**Card 21 of 30: Light Energy from the Sun**



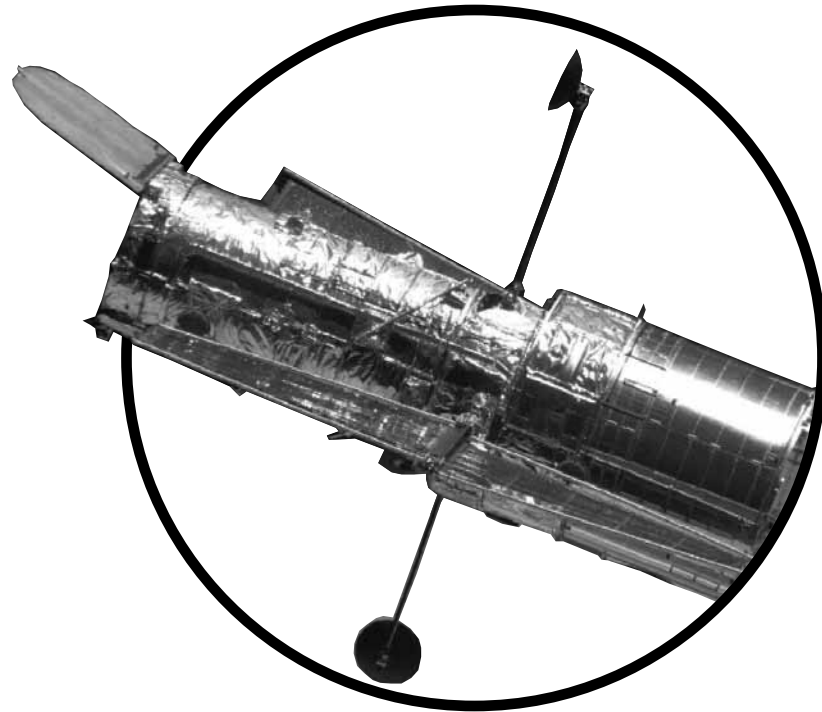


top

## **Astronomy: Our Solar System and Beyond**

**Card 22 of 30: Statue of Copernicus**





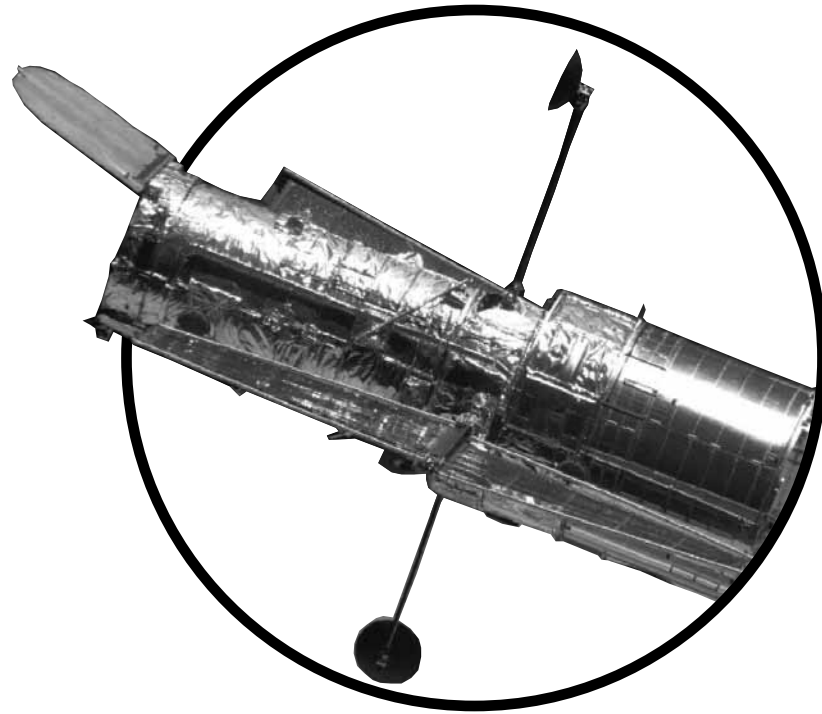
top

## **Astronomy: Our Solar System and Beyond**

**Card 23 of 30: Horizon**





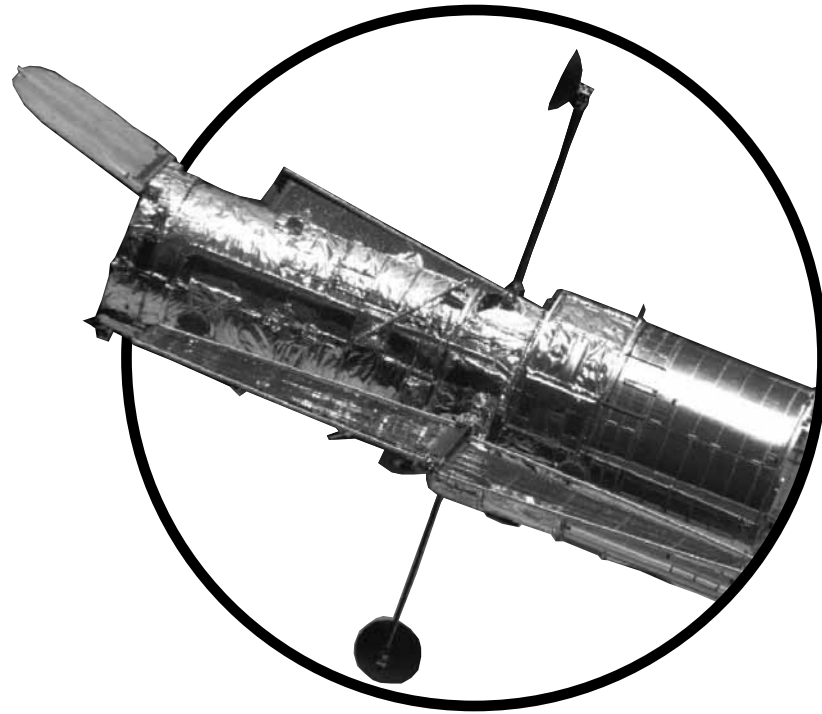


top

## **Astronomy: Our Solar System and Beyond**

**Card 24 of 30: Space Shuttle**



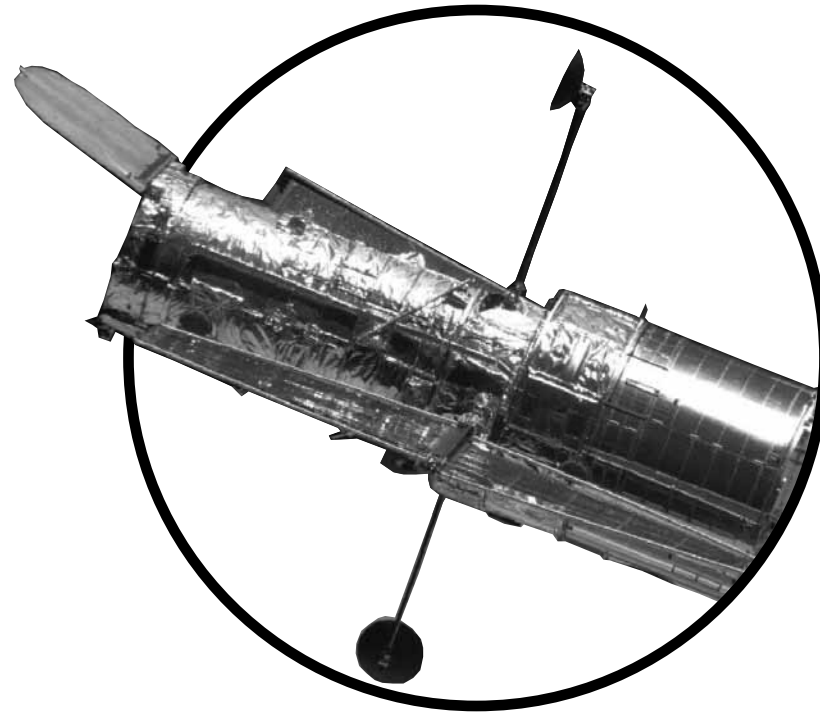


top

## **Astronomy: Our Solar System and Beyond**

**Card 25 of 30: Stamps Honoring Space Dog Laika**

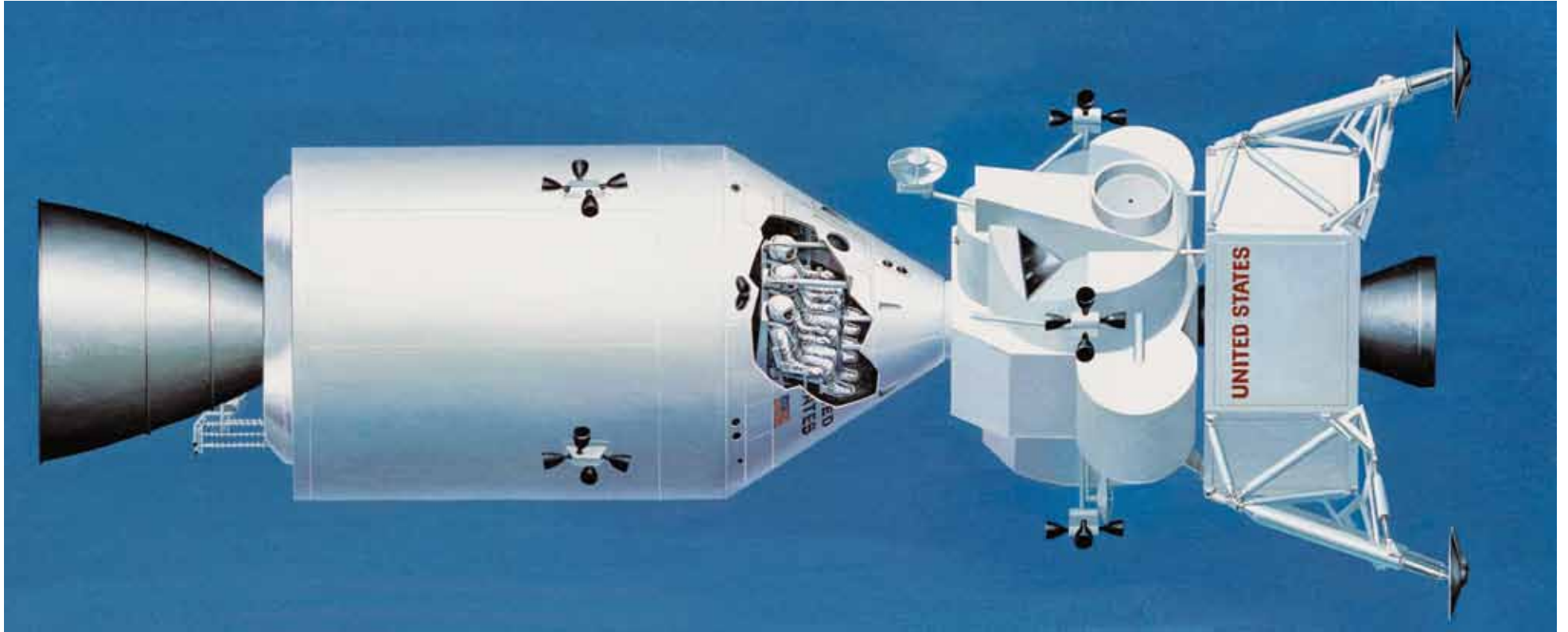




top

## **Astronomy: Our Solar System and Beyond**

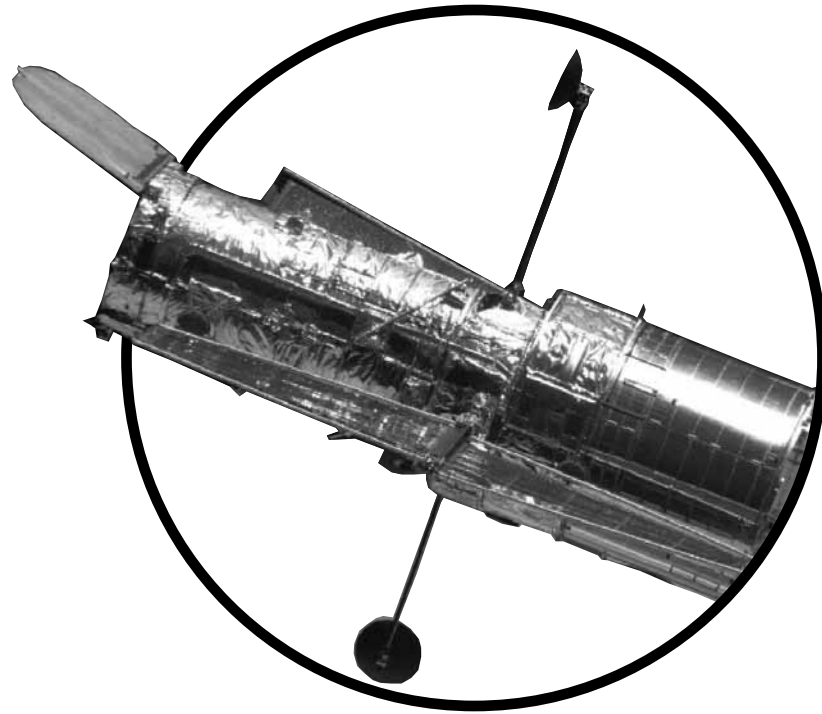
**Card 26 of 30: Armstrong, Collins, and Aldrin**



**Service Module**

**Command Module**

**Lunar Module**

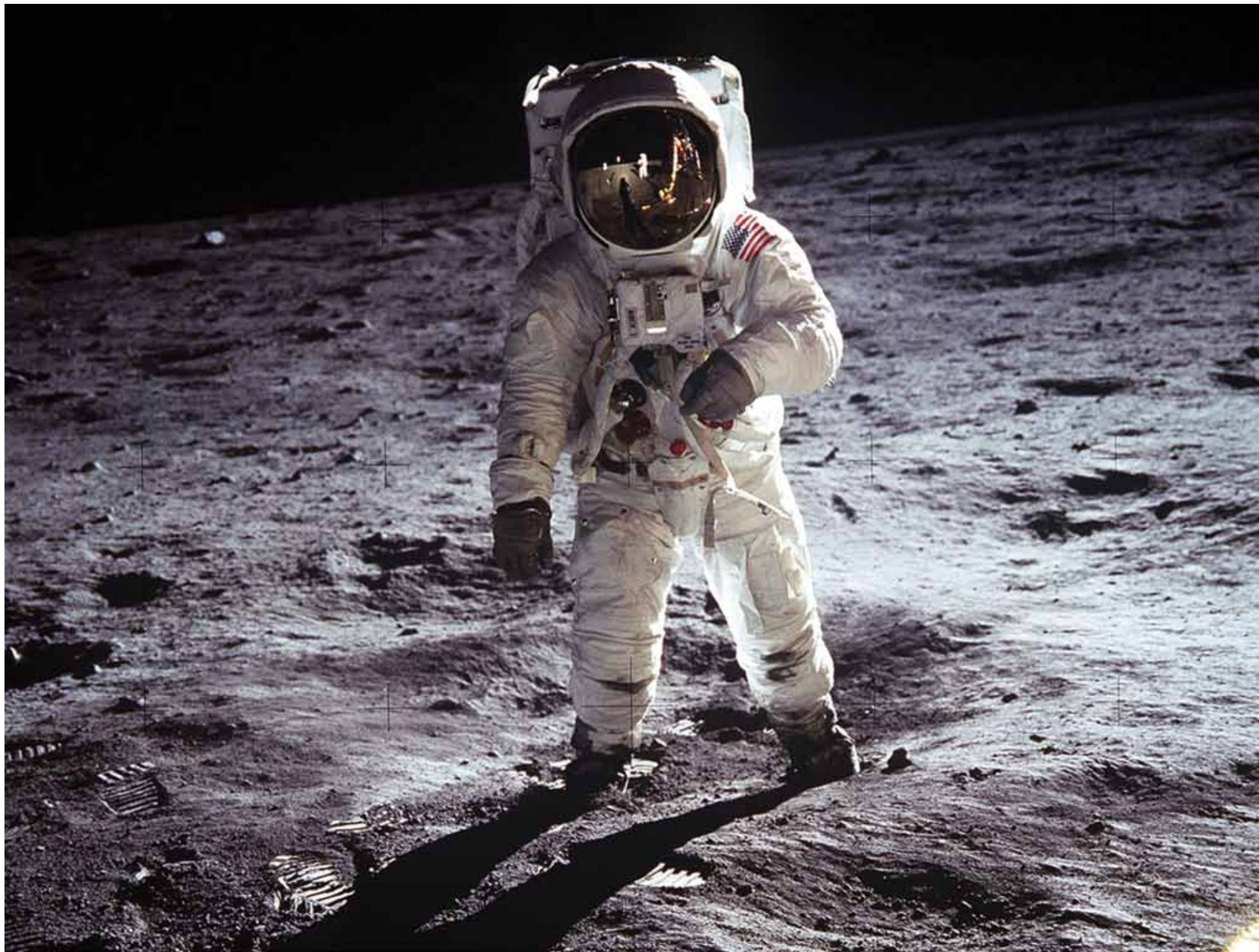


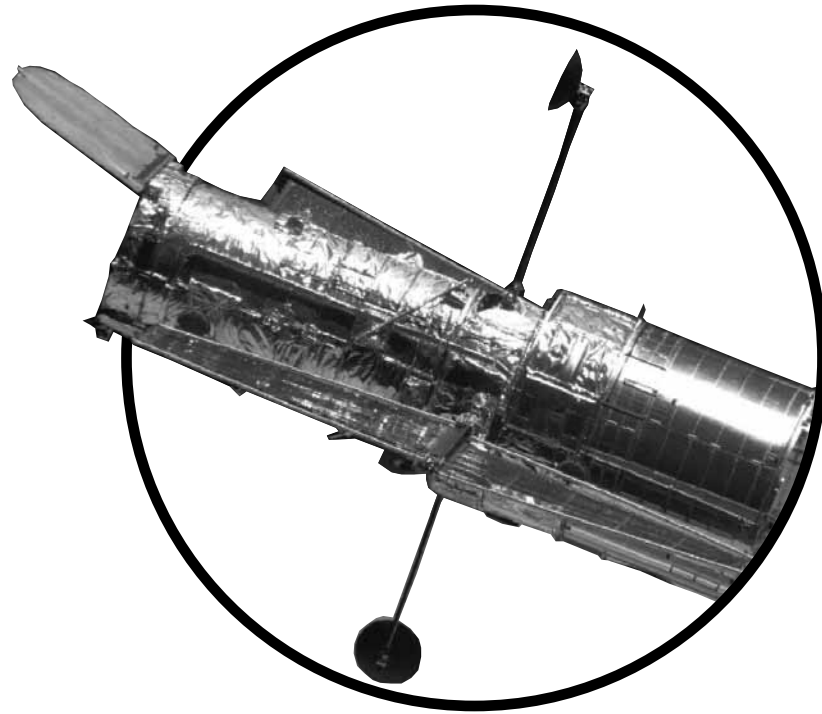
top

# Astronomy: Our Solar System and Beyond

Card 27 of 30: Apollo 11



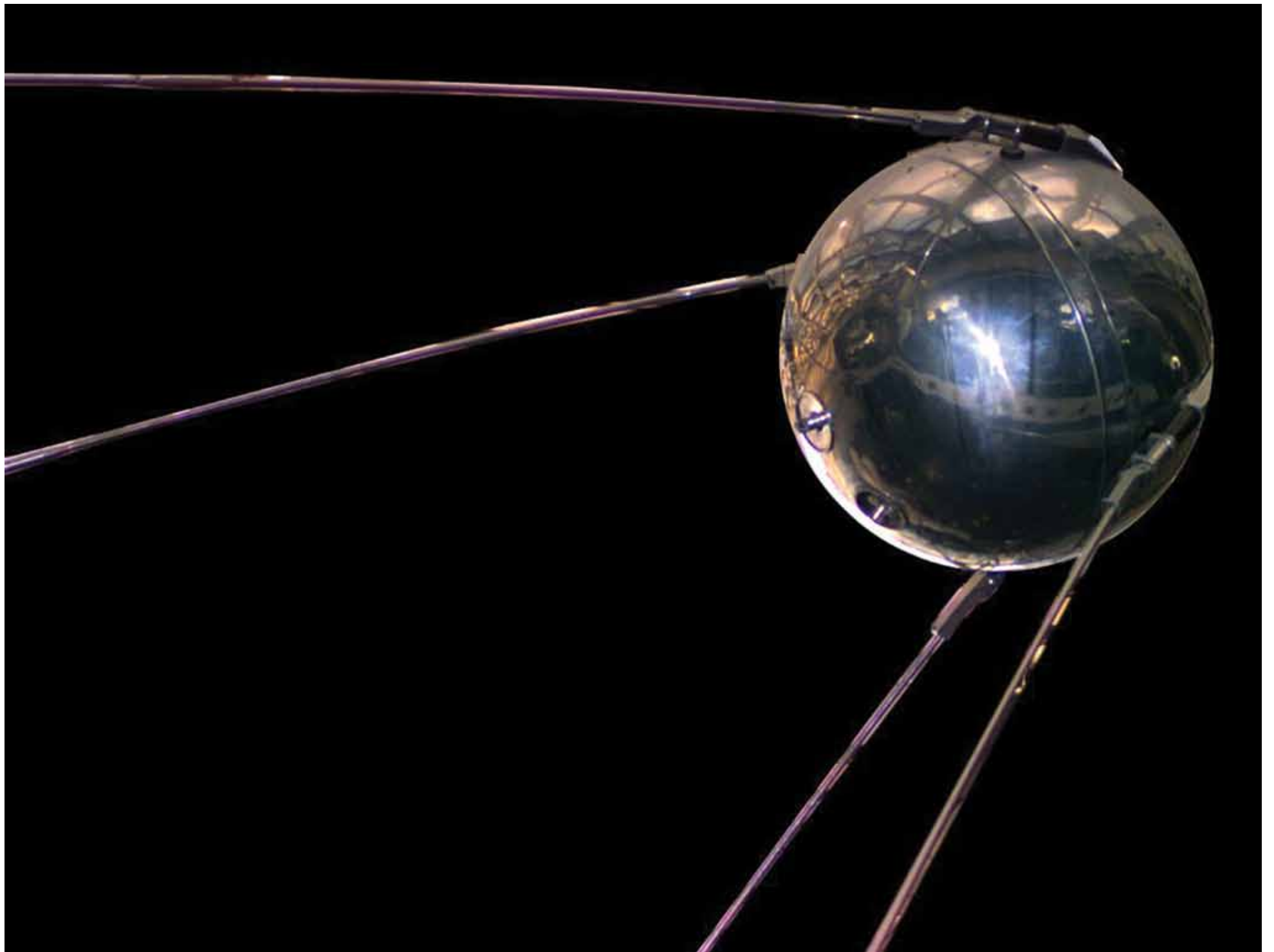


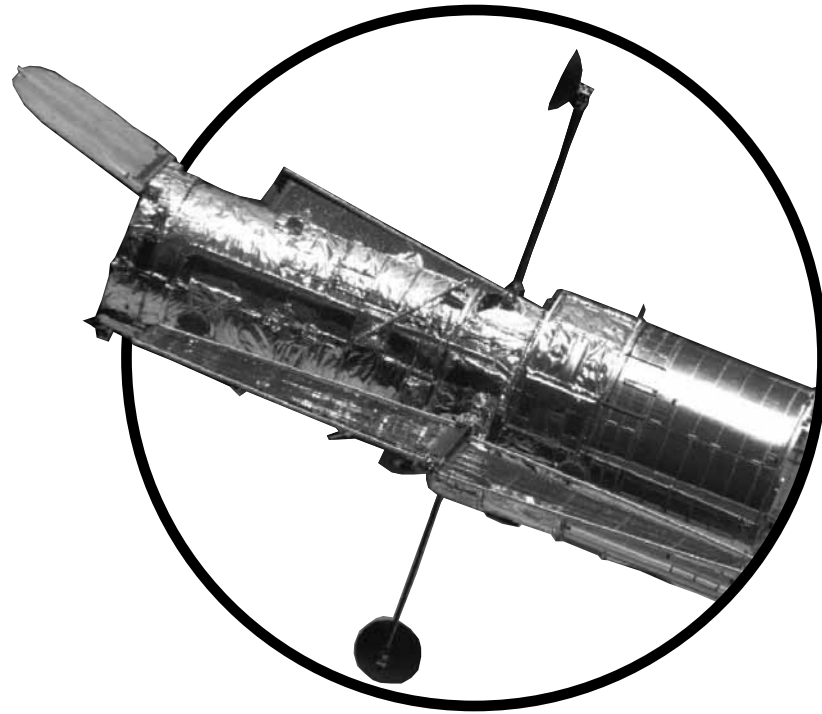


top

## **Astronomy: Our Solar System and Beyond**

**Card 28 of 30: Aldrin on the Moon; Armstrong in the Reflection**



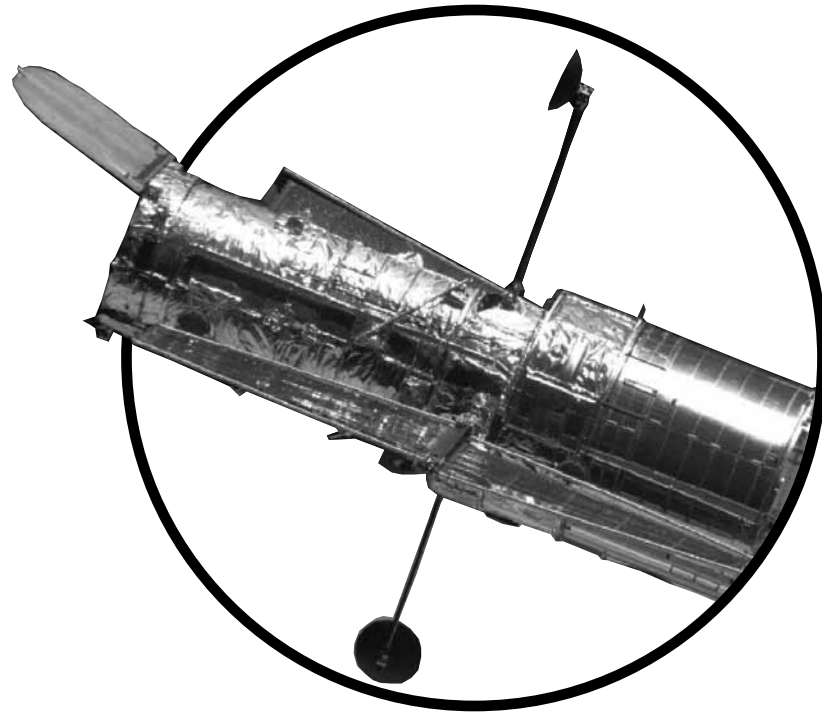


top

## **Astronomy: Our Solar System and Beyond**

**Card 29 of 30: Sputnik 1**





top

## **Astronomy: Our Solar System and Beyond**

**Card 30 of 30: Mae Jemison**

# CORE KNOWLEDGE LANGUAGE ARTS

## SERIES EDITOR-IN-CHIEF

E. D. Hirsch, Jr.

## PRESIDENT

Linda Bevilacqua

## EDITORIAL STAFF

Carolyn Gosse, Senior Editor - Preschool

Khara Turnbull, Materials Development Manager

Michelle L. Warner, Senior Editor - Listening & Learning

Mick Anderson

Robin Blackshire

Maggie Buchanan

Paula Coyner

Sue Fulton

Sara Hunt

Erin Kist

Robin Luecke

Rosie McCormick

Cynthia Peng

Liz Pettit

Ellen Sadler

Deborah Samley

Diane Auger Smith

Sarah Zelnike

## DESIGN AND GRAPHICS STAFF

Scott Ritchie, Creative Director

Kim Berrall

Michael Donegan

Liza Greene

Matt Leech

Bridget Moriarty

Lauren Pack

## CONSULTING PROJECT MANAGEMENT SERVICES

ScribeConcepts.com

## ADDITIONAL CONSULTING SERVICES

Ang Blanchette

Dorrit Green

Carolyn Pinkerton

## ACKNOWLEDGMENTS

These materials are the result of the work, advice, and encouragement of numerous individuals over many years. Some of those singled out here already know the depth of our gratitude; others may be surprised to find themselves thanked publicly for help they gave quietly and generously for the sake of the enterprise alone. To helpers named and unnamed we are deeply grateful.

## CONTRIBUTORS TO EARLIER VERSIONS OF THESE MATERIALS

Susan B. Albaugh, Kazuko Ashizawa, Nancy Braier, Kathryn M. Cummings, Michelle De Groot, Diana Espinal, Mary E. Forbes, Michael L. Ford, Ted Hirsch, Danielle Knecht, James K. Lee, Diane Henry Leipzig, Martha G. Mack, Liana Mahoney, Isabel McLean, Steve Morrison, Julianne K. Munson, Elizabeth B. Rasmussen, Laura Tortorelli, Rachael L. Shaw, Sivan B. Sherman, Miriam E. Vidaver, Catherine S. Whittington, Jeannette A. Williams

We would like to extend special recognition to Program Directors Matthew Davis and Souzanne Wright who were instrumental to the early development of this program.

## SCHOOLS

We are truly grateful to the teachers, students, and administrators of the following schools for their willingness to field test these materials and for their invaluable advice: Capitol View Elementary, Challenge Foundation Academy (IN), Community Academy Public Charter School, Lake Lure Classical Academy, Lepanto Elementary School, New Holland Core Knowledge Academy, Paramount School of Excellence, Pioneer Challenge Foundation Academy, New York City/PS 26R (The Carteret School), PS 30X (Wilton School), PS 50X (Clara Barton School), PS 96Q, PS 102X (Joseph O. Loretan), PS 104Q (The Bays Water), PS 214K (Michael Friedsam), PS 223Q (Lynndon B. Johnson School), PS 308K (Clara Cardwell), PS 333Q (Goldie Maple Academy), Sequoyah Elementary School, South Shore Charter Public School, Spartanburg Charter School, Steed Elementary School, Thomas Jefferson Classical Academy, Three Oaks Elementary, West Manor Elementary.

And a special thanks to the CKLA Pilot Coordinators Anita Henderson, Yasmin Lugo-Hernandez, and Susan Smith, whose suggestions and day-to-day support to teachers using these materials in their classrooms was critical.



Core Knowledge®

## CREDITS

*Every effort has been taken to trace and acknowledge copyrights. The editors tender their apologies for any accidental infringement where copyright has proved untraceable. They would be pleased to insert the appropriate acknowledgment in any subsequent edition of this publication. Trademarks and trade names are shown in this publication for illustrative purposes only and are the property of their respective owners. The references to trademarks and trade names given herein do not affect their validity.*

*All photographs are used under license from Shutterstock, Inc. unless otherwise noted.*

## ILLUSTRATORS AND IMAGE SOURCES

Cover: Steve Morrison; Domain Icon: NASA; Image Card 1: NASA/JPL/UCSD/JSC; Image Card 2: Shutterstock; Image Card 3: Shutterstock; Image Card 4 (background): Shutterstock; Image Card 4 (Mercury): Shutterstock; Image Card 4 (Earth): Shutterstock; Image Card 4 (Neptune): NASA; Image Card 5: Shutterstock; Image Card 6 (top): NASA, ESA, J. Parker (Southwest Research Institute), P. Thomas (Cornell University), L. McFadden (University of Maryland, College Park), and M. Mutchler and Z. Levey; Image Card 6 (top background): Shutterstock; Image Card 6 (bottom): Shutterstock; Image Card 7: Shutterstock; Image Card 8: Shutterstock; Image Card 9: NASA, Galileo, Copyright Calvin J. Hamilton; Image Card 10: NASA, ESA, the Hubble Heritage Team (STScI/AURA), J. Bell (Cornell University), and M. Wolff (Space Science Institute, Boulder); Image Card 11: Shutterstock; Image Card 12: Shutterstock; Image Card 13: Shutterstock; Image Card 14: NASA; Image Card 15: ESA/Hubble & NASA; Image Card 16: Shutterstock; Image Card 17: Shutterstock; Image Card 18: Shutterstock; Image Card 19: Core Knowledge Staff; Image Card 20: Shutterstock; Image Card 21: Core Knowledge Staff; Image Card 22: Shutterstock; Image Card 23: Shutterstock; Image Card 24: NASA; Image Card 25: Shutterstock; Image Card 26: NASA; Image Card 27: NASA; Image Card 28: NASA; Image Card 29: Courtesy NSSDC, NASA; Image Card 30: NASA

Regarding the Shutterstock items listed above, please note: No person or entity shall falsely represent, expressly or by way of reasonable implication, that the content herein was created by that person or entity, or any person other than the copyright holder(s) of that content.